

the Paradise™ 9



Breville®

EN INSTRUCTION BOOK

FR-CA MANUEL D'INSTRUCTIONS

ES-MX MANUAL DE INSTRUCCIONES

BILT.® × Breville®

Scan for 3D interactive set up
Configuration interactive 3D
Configuración interactiva en 3D



Download on the
App Store

GET IT ON
Google Play



Contents

2. Breville® Recommends Safety First
- 2 Limited Product Warranty
8. Components
11. Assembly
14. Functions
15. Tips
17. Care & Cleaning
19. Troubleshooting



Limited Product Warranty

Breville's warranty for this product covers the repair or replacement if it's found to be defective due to faulty materials, workmanship, or function within the warranty period. All legal warranty rights under applicable national legislation will be respected and will not be impaired by our warranty. For details on length of warranty, to obtain a printed copy or to read full terms and conditions please scan the QR code or visit



QR149

www.breville.com
Alternatively, call the Breville Service Center (see back cover for contact details).

BREVILLE® RECOMMENDS SAFETY FIRST

At Breville we are very safety conscious. We design and manufacture consumer products with the safety of you, our valued customer, foremost in mind. In addition, we ask that you exercise a degree of care when using any electrical appliance and adhere to the following precautions.

IMPORTANT SAFEGUARDS

READ ALL INSTRUCTIONS BEFORE USE AND SAVE FOR FUTURE REFERENCE

- Remove any packaging material and promotional labels before using the food processor for the first time.
- Do not place the food processor near the edge of a countertop or table or on a sink drain board during operation. Ensure the surface is level, clean

and free of water, flour, etc. Vibration during operation may cause the appliance to move.

- Handle the food processor and attachments with care - remember the blades and disks are razor-sharp and should be kept out of reach from children.
- Care shall be taken when handling the sharp cutting blades, emptying the bowl and during cleaning.
- Always make sure the food processor is completely assembled, with the processing lid securely in position before operating. The appliance will not operate unless properly assembled.
- Ensure the OFF button has been pressed, and the food processor is unplugged before attaching any accessories or processing lid.
- To unplug, grasp the plug and pull from the outlet. Never pull from the power cord.
- Always secure the processing bowl onto the motor base before attaching the blades or discs.
- Do not push food into the feed chute with your fingers or other utensils. Always use the food pusher provided.
- Keep hands, knives and other utensils away from moving blades or disks.
- Do not place hands or fingers in the bowl of the food processor unless the motor, blades or disks have come to a complete stop.
- To reduce the risk of fire, electric shock, or injury, do not use attachments other than those provided with the food processor.
- Do not attempt to operate the food processor by any method other than those described in this booklet.

- Ensure the motor, blades or disks have completely stopped before disassembling.
- Ensure the OFF button has been pressed and the appliance is unplugged from the power outlet when not in use, if left unattended and before disassembling, cleaning, or storing.
- Care should be taken when removing the food from the processing bowl by ensuring the motor, blades or disks, have completely stopped before disassembling. The processing bowl should then be unlocked from the motor body and the blades, dough blade or disk carefully removed before attempting to remove the processed food.
- Please do not crush ICE in the processing bowl. This will cause damage to the blades. We recommend that you use a blender for ice crushing.
- Some stiff mixtures, such as dough may cause the processing blade to rotate more slowly than normal. If this happens, do not process for longer than 1 minute. Allow the appliance to cool down before next use.
- Do not process hot or boiling liquids - allow liquids to cool before placing into the processing bowl. Hot liquid can be ejected to cause injury due to sudden steaming.
- Do not move the food processor whilst in operation.
- Do not leave the food processor unattended when in use.
- Do not place any part of the food processor in the microwave oven.
- Do not place on or near a hot gas or electric burner or in a heated oven.

- Do not fill the processing bowl above the marked maximum fill line for each type of the ingredients. Always add drier or thicker ingredients to the processing bowl prior to adding fluids. Failing to follow this instruction may cause product malfunction, product damage or personal injury due to damage to the cover or bowl.
- Keep the appliance clean. Do not use harsh abrasive, caustic cleaners when cleaning the appliance. Follow the cleaning instructions provided in this book.
- This appliance shall not be used by children. Keep the appliance and its cord out of reach of children. The appliance can be used by persons with reduced physical or mental capabilities or a lack of experience and knowledge, only if they have been given supervision or instruction concerning use of the appliance in a safe way and understand the hazards involved.
- Cleaning and user maintenance shall not be made by children without supervision.
- Children should be supervised to ensure that they do not play with the appliance.
- It is recommended to regularly inspect the appliance. Do not use the appliance if power supply cord, plug or appliance becomes damaged in any way. Immediately cease use of the appliance and visit www.breville.com or

IMPORTANT SAFEGUARDS FOR ALL ELECTRICAL APPLIANCES

- Fully unwind the power cord before use.
- Do not let the power cord hang over the edge of a table, counter, touch hot surfaces or become knotted.

call Breville Consumer Support for examination, repair or adjustment.

- For any maintenance other than cleaning, visit www.breville.com or call Breville Consumer Support.
- This appliance is for household use only. Do not use this appliance for anything other than its intended use. Do not use in moving vehicles or boats. Do not use outdoors. Misuse may cause injury.
- The processing blades and disks are extremely sharp, handle with care at all times. Avoid contact with moving parts during operation. Keep hands, hair, clothing, spatulas and other utensils out of food processor feed chute to prevent personal injury or damage to the appliance. Always use the food pusher to push the food down the feed chute.
- To avoid a hazard due to inadvertent resetting of the thermal cut-out, this appliance must not be supplied through an external switching device, such as a timer, or connected to a circuit that is regularly switched on and off by the utility.
- If the power outlet is a standard 2-prong wall outlet, it is your personal responsibility and obligation to have it replaced with a properly grounded 3-prong wall outlet.
- Do not, under any circumstances, cut or remove the third (ground) prong from the power cord or use an adapter.
- Consult a qualified electrician if instructions are not completely understood, or if doubt exists as to whether the appliance is properly grounded.
- The installation of a residual current device (safety switch) is recommended to

provide additional safety protection when using electrical appliances. It is advisable that a safety switch with a rated residual operating current not exceeding 30mA be installed in the electrical circuit supplying the appliance. See your electrician for professional advice.


SHORT CORD INSTRUCTIONS

Your Breville appliance is fitted with a short power supply cord to reduce personal injury or property damage resulting from pulling, tripping or becoming entangled with a longer cord. If an extension cord is used, (1) the marked electrical rating of the cord set or extension cord should be at least as great as the electrical rating of the

appliance, (2) the cord should be arranged so that it will not drape over the countertop or table-top where it can be pulled on by children or tripped over unintentionally and (3) the extension cord must include a 3-prong grounding plug.

WARNING

To avoid possible malfunction of the processing bowl's auto switch, do not place the processing lid in the locked position when the appliance is not in use.

 To protect against electric shock or fire, do not immerse the power cord, power plug or appliance in water or any other liquid.

FOR HOUSEHOLD USE ONLY SAVE THESE INSTRUCTIONS



Components

A. Small pusher cap

The small pusher cap functions as a cover of the smaller feed chute.

B. Small food pusher

For improved processing control of smaller ingredients. It also doubles as a measuring cup. The food processor will run continually whether the small pusher is in or out.

C. Large food pusher

For pushing food down the feed chute. The food processor will not start unless the large pusher is correctly in place.

D. Feed chute safety system

Prevents the motor from operating unless the bowl and lid are correctly locked in position, and large feed pusher is inserted.

E. Processing Lid with silicone seal

Locks onto the processing bowl.

F. Main bowl with handle

The bowl locks onto the motor base.

G. POWER button

H. PULSE button

Press down and hold briefly for short bursts of power. The motor will automatically stop after the PULSE button has been released.

I. PLAY | STOP button

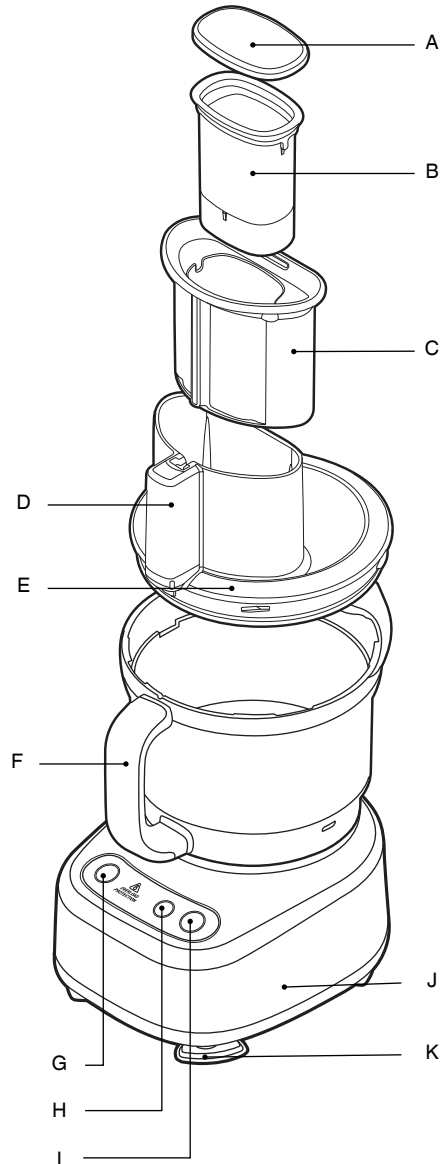
Press to start and stop the motor.

J. Powerful induction motor base

Induction motor with safety braking system.

K. Non-skid rubber feet

For added safety and stability.



1. Dicing Blade

To be used with the dicing grid for dicing in cubes.

2. Dicing Grid

To be used with the dicing blade for dicing in cubes.

3. Dicing Cleaner

Use to clean dicing grid.

4. Main Spindle

Attaches to blade or discs.

5. Dicing Gearbox

Use with the dicing kit.

6. Reversible Shredder

Use one side of this disc for fine shredding and the other side for coarse shredding

7. Adjustable Slicer

Use this disc for slicing ingredients. Able to slice from 0.3 mm – 5.0 mm thick.

8. S Blade™

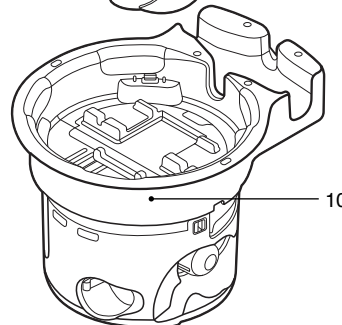
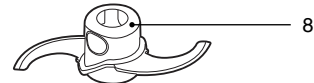
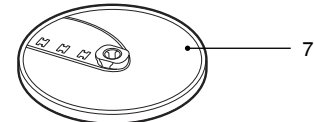
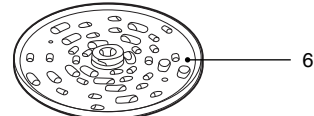
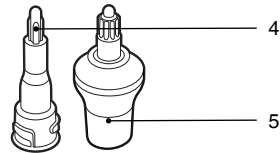
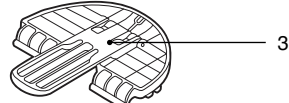
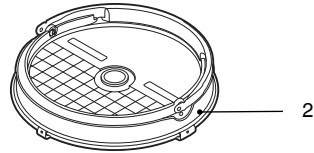
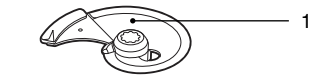
For swiftly chopping, mixing, and blending a variety of ingredients.

9. Dough blade

Soft material blade for kneading dough.

10. Caddy

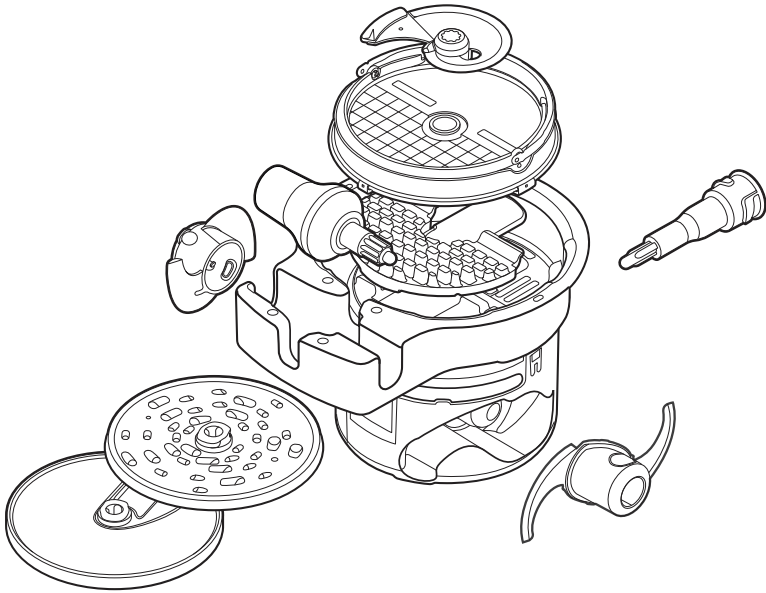
To store all accessories.

**TIP**

How to remove the caddy from the bowl?
With the lid sitting on the Caddy, grasp the outer rim of the caddy below where the lid sits and lift caddy out of bowl. Then, lift the lid off the caddy to access the accessories.

DETACHMENT AND ATTACHMENT OF ACCESSORIES

- Accessories all have a place in the caddy which has been color coordinated.
- All accessories can be accessed independently of each other.





Assembly

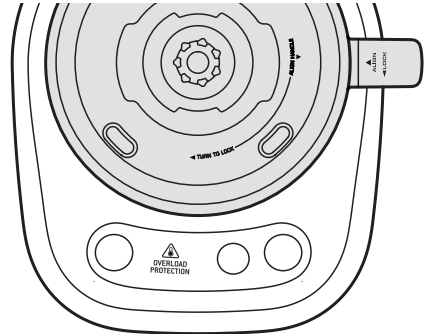
BEFORE FIRST USE

- Before using your food processor for the first time, remove any packaging material and promotional labels. Ensure the POWER button is OFF and the food processor is unplugged.
- Be careful when handling the blades and disks as they are extremely sharp.
- Wash the processing bowl, processing lid and all attachments in warm soapy water with a soft cloth. Rinse and dry thoroughly. All attachments except the dicing gearbox, food pusher and food pusher lid may be washed in the dishwasher.
- When first using your food processor, you may notice an odour coming from the motor. This is normal and will dissipate with use.
- Always use the food processor on a dry, level work surface.

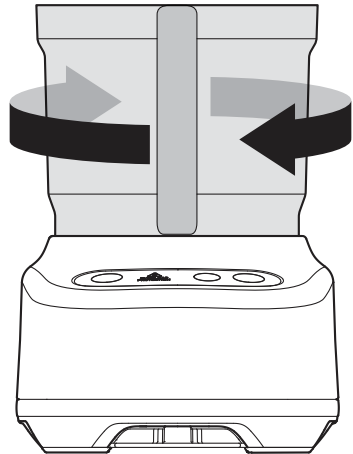
ASSEMBLY

Motor Base and Bowl

1. Position the processing bowl onto the motor base with the handle in line with the ALIGN HANDLE graphic on the motor base.



2. Turn the bowl clockwise until the handle locks to the front. The processing bowl should now be securely locked into position. The food processor will not operate unless the bowl is locked into position correctly.



Spindles and Discs

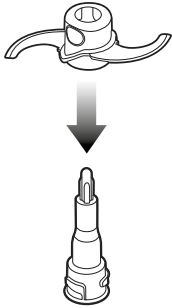


WARNING

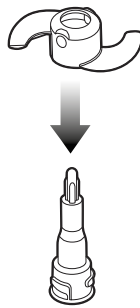
Do not touch the blades of the Dicing Grid and Dicing Blade. They are extremely sharp.



**S blade
to spindle**



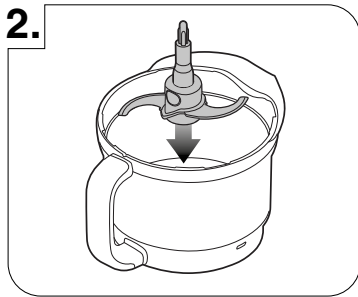
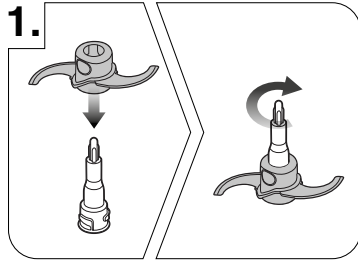
**Dough blade
to spindle**



1. First is to assemble your chosen attachment (S blade or Dough blade) over the spindle and place them in position over the coupling in the centre of the processing bowl; then, place the lid onto the processing bowl.
2. The dicing gearbox is required when using the dicing kit. To dice vegetables or fruit, insert the dicing gearbox into the bowl first, followed by the dicing grid, ensuring to align with the 4 tabs in the bowl, place the dicing blade onto the dicing grid, over the dicing gearbox. Ensure the flat section of the blade (blade end) lines up with the 'insert blade' area of the grid.

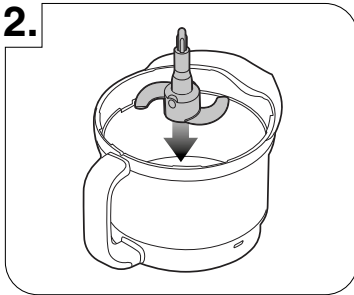
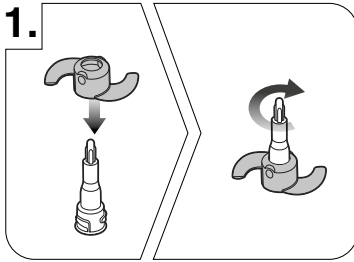
Spindle and S Blade

1. Carefully insert the S blade into the spindle and turn clockwise until it is firmly locked in place.
2. Place the assembled spindle and S blade over the coupling in the centre of the bowl with caution. Avoid touching the blades.



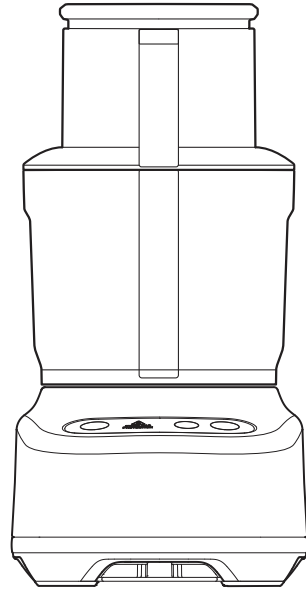
Spindle and Dough Blade

1. Insert the dough blade into the spindle and turn clockwise until it is firmly locked in place.
2. Place the assembled spindle and dough blade over the coupling in the centre of the bowl.

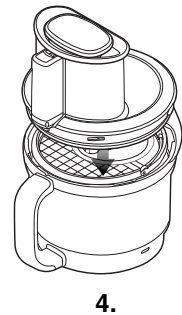
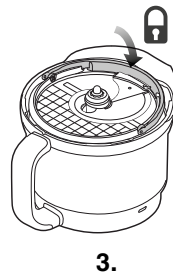
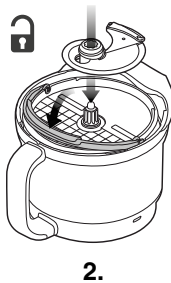
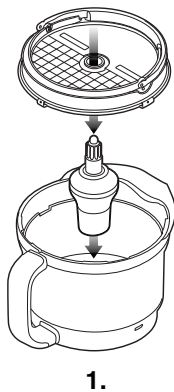


Lid

Place lid onto the processing bowl. To LOCK the lid, hold the chute and turn clockwise so that the handle parts align. Locking the lid correctly will engage the interlocking safety catch on.



Dicing Assembly





Functions

OPERATION

Getting started

The food processor will only operate when the processing bowl, lid and large pusher are correctly assembled. This engages the safety interlock, and allows the motor to run.

The chute has a CHUTE FILL MAX graphic to indicate the maximum volume of food that can be placed in the chute for the pusher to activate the safety locking catch.

Control Panel

When the machine is connected to power, and the POWER button is pressed; the buttons will illuminate and the food processor will be ready to operate.

Pressing the POWER button at this stage will turn the unit off.

Pressing the PLAY | STOP button will start the motor running continuously.

Press PLAY | STOP again while processing and the motor will stop.

Press PLAY | STOP to continue processing or press POWER to return to standby.

Removing the large pusher during processing will stop the motor. Ingredients can be added into the lid chute, and when the large pusher is re-inserted, the unit will continue to process.

Pressing the PULSE button will cause the motor to operate only while the button is held down.

Use a combination of the PULSE and PLAY | STOP buttons for more control when processing ingredients.

After Processing

Wait until the blades or disks have stopped moving before unlocking the lid. Ensure that the unit has been turned off using the POWER button and unplug from the power outlet before handling the blades.

When removing the blades or disks, lift the part by carefully gripping the plastic hub area in the center.

Overload Protection System

The food processor has an overload protection system to prevent damage to the motor – this will cause the food processor to go into standby mode.



Unplug the food processor and allow to cool for 30 minutes.

If the blades or disks stall while processing, immediately stop the machine, then unplug from the power outlet before clearing the wedge ingredients. If this happens more than once, the bowl may be overloaded. Try processing in smaller batches.



Tips

Tips listed below are suggestions only. For more detailed instructions, refer to specific recipes provided online at breville.com

ACCESSORY	ACTION	TYPES OF INGREDIENTS / DISHES	TIPS
S-Blade™	Chop	<ul style="list-style-type: none"> • Raw fruits and vegetables • Raw or cooked meats and fish • Fresh herbs • Breadcrumbs • Nuts • Dried fruits 	<ul style="list-style-type: none"> • Trim and cut food, if necessary, into 2.5cm cubes before processing.
	Mince / Ground Meat	<ul style="list-style-type: none"> • Raw and cooked proteins 	 <p>WARNING</p> <ul style="list-style-type: none"> • Motor should run for no more than 1 minute at a time. • Trim and cut food into 2.5 cm cubes before processing. • For best results, freeze meat for 30 minutes. • Trim excess fats and sinew.
	Puree / Blend	<ul style="list-style-type: none"> • Cooked fruit and vegetables 	<ul style="list-style-type: none"> • Allow food to cool before pureeing or blending.
	Mix	<ul style="list-style-type: none"> • Sauces • Batters • Pesto • Compound butters 	<ul style="list-style-type: none"> • For batters, use PULSE button until mixed evenly. Do not over process.
Dough Blade	Knead	<ul style="list-style-type: none"> • Bread and pizza doughs 	<ul style="list-style-type: none"> • Add liquid through small feed chute whilst the motor is running to incorporate. • Recommended Recipe <ul style="list-style-type: none"> - 375 g flour - 235 g of water - 10 g sugar - 8 g yeast - 7 g salt • Maximum flour quantity = 525 g
Adjustable Slicer Disk	Slice	<ul style="list-style-type: none"> • Raw foods and vegetables • Salamis and deli meats 	<ul style="list-style-type: none"> • Place ingredients vertically on the left side of appropriate sized feed chute to minimize tilting. • For deli meats like salami or pepperoni, trim one end and process one at a time.
Reversible Shredding Disk	Coarse and Fine Shred	<ul style="list-style-type: none"> • Cheeses • Fruits and vegetables such as apples, potatoes, and cabbage 	<ul style="list-style-type: none"> • For best results, freeze softer cheeses for 45 minutes before grating.  <p>NOTE</p> <ul style="list-style-type: none"> • Grating soft white cheeses such as fresh mozzarella is not recommended. • Remove the rind from hard cheeses before grating.
Dicing kit	Dicing	<ul style="list-style-type: none"> • Raw and cooked vegetables and fruits 	<ul style="list-style-type: none"> • Use small feed chutes for harder ingredients such as carrot or pumpkin. To further improve results you can also pre cook. • When dicing tomatoes, avocados firmer fruit will give a better result.



IMPORTANT NOTES

For optimal results, use the chute size appropriate to the food to be processed, position food in the chute and use the pusher to push food with light downward force prior to starting the food processor.

Pressure

When processing, never force the food down the chute as this can damage the disks. Apply light, even pressure for soft foods such as tomatoes and bananas. Apply medium, even pressure for firmer foods such as potatoes, cheese, deli meats and apples.



NOTE

If food produce does get stuck inside the chute, remove the pusher, remove the lid from the bowl, and while the chute is away from the bowl and away from the blades; carefully dislodge the food stuck inside the chute by hand.

Smaller Ingredients

For long thin foods such as carrots, cucumbers, zucchini, etc., use the small chute. This will avoid the ingredient from tipping over, during slicing.

Larger Ingredients

The wide feed chute is 12 cm wide and can fit ingredients up to this size. The food should fit snugly so it is supported in an upright position in the chute, but not so tight that it could prevent the food from moving down the chute. Ensure not to overfill the chute, as the pusher will not activate the interlock safety catch if the chute is too full. Do not fill over the MAX indicator.



Care & Cleaning

Remove the power cord from the power outlet after use for safety reasons.

Processing bowl and lid

Due to the interlock components, we do not recommend immersing the bowl and lid in water for long periods.

To keep your bowl and lid clean, and to avoid food drying, follow these steps as soon as possible after use:

- Rinse most of the ingredients off the bowl and lid.
- Hand wash in clean warm, soapy water using a mild liquid detergent and non-abrasive sponge.
- The processing bowl and lid may occasionally be washed in the dishwasher (top shelf only), however washing in the dishwasher is not recommended on a regular basis, as prolonged exposure to harsh detergents, hot water and pressure will damage and shorten the life of the plastic and the interlock components.



WARNING

Oils in citrus rind can damage the material of your food processor bowl if being exposed to it for a longer period. Always clean your processing bowl immediately after processing citrus rind.



WARNING

Do not touch the blades of the Dicing Grid. They are extremely sharp.

Dicing gearbox and accessory caddy

The dicing gearbox and accessory caddy (if needed) should only be hand washed.

Blades and disks

- Blades and disks are razor sharp, do not touch. Always use a spatula or brush to remove food or when cleaning blades.
- Spindle, blades and disks can be washed in the dishwasher.

Removal of Dicing Blade

1. With the lid removed from the bowl, use your thumb and forefinger to carefully grasp the dicing blade hub.
2. Lift up and simultaneously twist off the dicing gearbox and set aside.

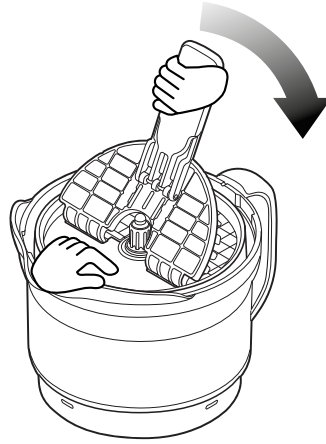
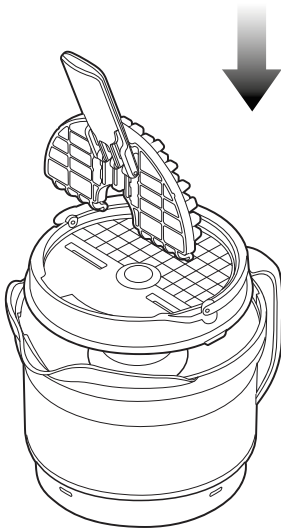


NOTE

If you cannot remove the blade, return the lid onto the bowl, place the large pusher into the lid feed chute and press the pulse button until you see the blade tip stop in the 'insert blade' area.

Then, repeat steps above.

Cleaning the Dicing Grid



NOTES

- Ensure dicing blade has been removed first.
 - The dicing grid must remain correctly assembled to the bowl prior to using the dicing cleaner.
 - The dicing gearbox can remain inside the bowl and grid.
1. Take cleaner out of caddy and flip up handle
 2. Align and then insert cleaner tabs into grid slots making sure the cleaner is upright
 3. With one hand, grasp the cleaner handle. With your other hand, put pressure/hold down the blank side of the grid.
 4. Push the cleaner handle down towards the bowl rim, maintaining pressure on the grid with your other hand - Food should begin to be pressed through the grid and into the bowl.
 5. Continue to push down with the handle until you feel the resistance of the food cease and you cannot push any further.
 6. Lift the handle back up and remove the cleaner from the grid slots. Repeat the process if any large pieces still remain.



NOTE

Any small food pieces remaining can be removed by washing brush or rinsing in the sink.

Motor base

To clean the motor base, wipe with a soft, damp cloth then dry thoroughly. Wipe any excess food particles from the power cord.

Cleaning agents

Do not use abrasive scouring pads or cleansers on either the motor base or the bowls, as they may scratch the surface. Use only warm soap water with a soft cloth.

Stubborn food stains and odours, strong smelling foods such as garlic, fish and some vegetables such as carrots may leave an odour or stain the bowl or lid. To remove, pour warm soapy water (do not overfill). Set aside to soak for 5 minutes, without immersing the whole bowl. Then wash with a mild detergent and warm water, rinse well and dry thoroughly. Store the bowl with the lid off.



Troubleshooting

PROBLEM	EASY SOLUTION
Food is unevenly processed	<ul style="list-style-type: none"> Ingredients should be cut evenly into 2.5 cm pieces before processing. Ingredients should be processed in batches to avoid overloading.
Slices are slanted or uneven	<ul style="list-style-type: none"> Place evenly cut food into the feed chute. Apply even pressure on the pusher.
Food falls over in the feed chute	<ul style="list-style-type: none"> There are two chute sizes for appropriate size of produce. Ensure the food is packed snugly for best results.
Some food remains on top of the disk after processing	<ul style="list-style-type: none"> It is normal for small pieces to remain after processing.
Motor slows down when kneading dough	<ul style="list-style-type: none"> Amount of dough must not exceed maximum recommended quantity on the recipe. Remove half and process in two batches. Dough may be too dry. If motor speeds up, continue processing. If not, add more water, 1 tablespoon at a time until the motor speeds up. Process until dough cleans the side of the processing bowl.
Dough doesn't clear inside of the processing bowl	<ul style="list-style-type: none"> Amount of dough may exceed food processor maximum capacity. Remove half and process in two batches. Dough may be too dry.
Dough nub forms on top of dough blade and dough does not become uniformly kneaded	<ul style="list-style-type: none"> Stop machine, carefully remove dough, divide it into 3 pieces and redistribute them evenly in the processing bowl.
Dough feels tough after kneading	<ul style="list-style-type: none"> Divide dough into 2 or 3 pieces and redistribute evenly in processing bowl. Process 10 seconds or until uniformly soft and pliable. Allowing dough to rest allows the gluten strands to relax and become more pliable.
Dough is too dry	<ul style="list-style-type: none"> While machine is running, add water through the small feed chute, 1 tablespoon at a time until dough clears the inside of the processing bowl.
Dough is too wet	<ul style="list-style-type: none"> While machine is running, add flour through the small feed chute, 1 tablespoon at a time until dough clears the inside of the processing bowl.
The motor does not start	<ul style="list-style-type: none"> There is a safety interlock switch to prevent the motor from starting if it is not properly assembled. Make sure the processing bowl lid and large pusher are securely locked into position. The food content in the feed chute should be below the maximum fill line. If the motor still will not start, check the power cord and power outlet.
The food processor shuts off during operation	<ul style="list-style-type: none"> The lid may have become unlocked; check to make sure it is securely in position. If the motor overloads, the 'OVERLOAD PROTECTION' icon in the screen will start to flash. Switch off by pressing the POWER button and unplug the power cord. Allow the food processor to cool for 30 minutes before resuming.
The motor slowed down during operation	<ul style="list-style-type: none"> This is normal as some heavier loads (e.g. slicing / shredding cheese) may require the motor to work harder. Reposition the food in the feed chute and cut the food into smaller sizes and process using a smaller pusher and continue processing. The maximum load capacity may have been exceeded. Remove some of the ingredients and continue processing.

PROBLEM

EASY SOLUTION

The food processor vibrates / moves during processing

- Make sure the rubber feet at the bottom of the unit are clean and dry. Also make sure that the maximum load capacity is not being exceeded.
- This is normal as some heavier loads may require the motor to work harder.
- Turn the unit off and clear any ingredients that may be caught on the disk, before continuing.
- If this occurs while mixing dough – then turn unit off and redistribute the dough mixture more evenly around the bowl before continuing.
- Process hard and fibrous foods such as carrots, through the small chute.

Dicing blade stuck on spindle

- Place lid back onto bowl and insert large pusher.
- Press the pulse button once and check if the blade is aligned to the 'insert blade' area. If not, repeat until it is - you may need to remove the lid to confirm.
- With the lid removed and blade in the correct position, carefully grasp the blade hub with thumb and forefinger. Then, lift the blade upwards and off the spindle.

BILT. × Breville®

Scan for 3D interactive set up
Configuration interactive 3D
Configuración interactiva en 3D



ATTACHMENT OF CADDY COMPONENTS

Attachment of caddy only after all the accessories have been removed.

Refer to this instructions for:

If dropped and fallen apart.

ATTACHMENT

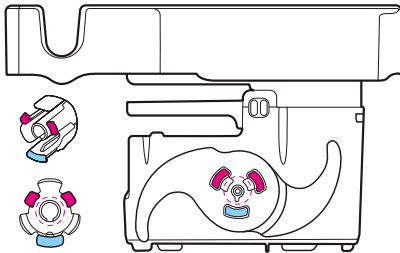
Blade Clips

1. Locate correct side of caddy (dough blade or chopping blade) and correct blade clip.
2. Insert blade clip spigot onto caddy base peg - maintaining correct alignment of blade clip legs
3. Push blade clip further until blade clip legs have flexed into caddy base holes. Ensure all three legs have engaged with caddy base.

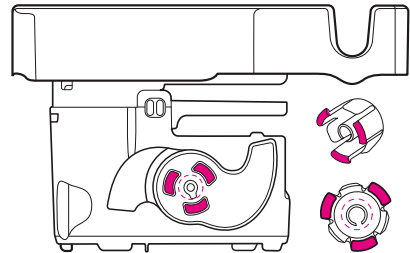


WARNING

Do not touch the blades of the Dicing Grid and Dicing Blade. They are extremely sharp.



S Blade Clip
Right Side View

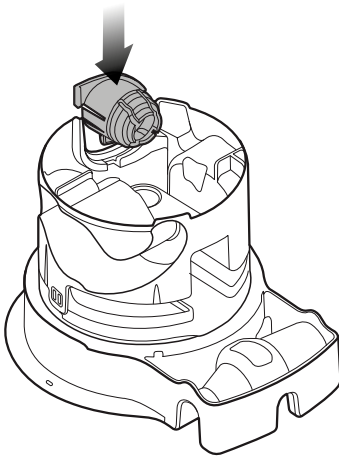


Dough Blade Clip
Left Side View

ATTACHMENT

Spindle Sheath

1. Remove all accessories and flip caddy upside-down (**WARNING! Blades are sharp**).
2. Slide sheath downwards into guide ribs. Press further until clip is locked into position.



Dicing Pocket

1. Take dicing pocket and align ribs to shredding cavity.
2. Place dicing pocket onto top of shredding cavity ensuring ribs are correctly engaged into slots.
3. Slide dicing pocket forward and home, ensuring dicing pocket hook latches underneath shredding cavity handle.



NOTE

- Hand wash and rinse only.

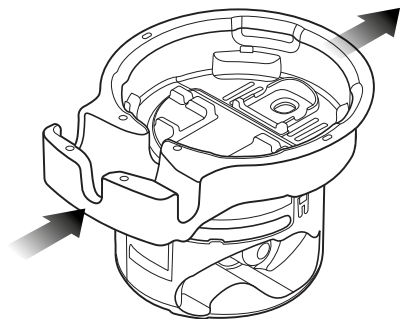
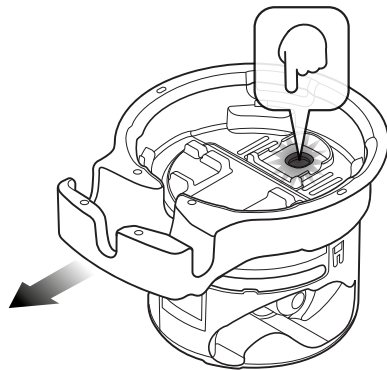
Detachment

1. Remove all accessories from caddy. (**WARNING! Blades are sharp**).
2. Press the release button and slide the dicing pocket backwards to dislodge.
3. Push down shredding cavity handle and continue sliding dicing pocket to detach.



NOTE

- Hand wash and rinse only.



the Paradise™ 9



Breville®

FR-CA MANUEL D'INSTRUCTIONS

BILT. × Breville®

Scan for 3D interactive set up
Configuration interactive 3D
Configuración interactiva en 3D





Table des matières

- 2. Breville® recommande la sécurité avant tout
- 2. Garantie limitée du produit
- 9. Composants
- 12. Assemblage
- 15. Fonctions
- 16. Conseils
- 18. Entretien et nettoyage
- 20. Résolution de problèmes



Garantie limitée du produit

La garantie de Breville pour ce produit couvre la réparation ou le remplacement, s'il s'avère défectueux en raison d'un défaut de matériel, de fabrication ou de fonctionnement pendant la période de garantie. Tous les droits légaux de garantie en vertu de la législation nationale applicable seront respectés et ne seront pas altérés par notre garantie. Pour plus de détails sur la durée de la garantie, pour obtenir une copie imprimée ou pour lire les conditions générales complètes, numérisez le code QR ou visitez le site www.breville.com




QR149

Vous pouvez également appeler le centre de service Breville (voir les coordonnées au verso).

BREVILLE® RECOMMANDE LA SÉCURITÉ AVANT TOUT

Chez Breville, la sécurité est au cœur de nos priorités. Lorsque nous concevons et fabriquons nos produits, votre sécurité en tant que consommateur est une priorité. De plus, nous vous demandons de faire preuve de prudence lors de l'utilisation de tout appareil électrique et de respecter les précautions suivantes.

PRÉCAUTIONS IMPORTANTES

LISEZ TOUTES LES INSTRUCTIONS AVANT D'UTILISER LE PRODUIT, ET CONSERVEZ-LES AFIN DE POUVOIR LES CONSULTER PLUS TARD SI NÉCESSAIRE. 

- Avant d'utiliser votre robot culinaire pour la première fois, retirez tous les éléments d'emballage

et toutes les étiquettes promotionnelles.

- N'installez jamais le robot culinaire sur le bord d'un comptoir ou d'une table ni sur un égouttoir d'évier, pendant son utilisation. Assurez-vous que la surface est plane, propre et sèche. Les vibrations lors du fonctionnement peuvent entraîner un déplacement de l'appareil.
- Manipulez le robot culinaire et les accessoires avec précaution : les lames et les disques sont extrêmement coupants et doivent être conservés hors de la portée des enfants.
- Prenez des précautions lorsque vous manipulez les lames tranchantes, videz le bol et nettoyez la machine et ses pièces.
- Assurez-vous toujours que le robot culinaire est entièrement assemblé, avec le couvercle de sécurité bien en place, avant de le faire fonctionner. L'appareil ne fonctionnera pas s'il n'est pas assemblé correctement.
- Assurez-vous que l'interrupteur est en position fermée (bouton OFF) et que le robot est débranché avant d'y fixer tout accessoire ou de mettre le couvercle de sécurité en place.
- Pour le débrancher, saisissez la fiche et retirez-la de la prise murale. Ne tirez jamais sur le cordon d'alimentation.
- Sécurisez toujours le bol de travail sur le socle motorisé avant d'y assembler les lames ou les disques.
- Ne poussez pas les aliments dans le tube d'alimentation avec les doigts ou des ustensiles. Utilisez toujours le poussoir fourni.
- Gardez les mains, les couteaux et autres ustensiles à l'écart des lames ou des disques en mouvement.

- Ne mettez pas les mains ou les doigts dans le bol du robot culinaire à moins que le moteur, les lames ou les disques soient complètement arrêtés.
- N'utilisez pas d'accessoires autres que ceux fournis avec le robot culinaire.
- N'essayez pas de faire fonctionner le robot culinaire par une méthode autre que celles décrites dans le présent livret.
- Assurez-vous que le moteur, les lames ou les disques sont complètement arrêtés avant de procéder au désassemblage.
- Assurez-vous que l'interrupteur est en position fermée (bouton OFF) et que le robot est débranché lorsqu'il est inutilisé, laissé sans surveillance et avant l'assemblage, le nettoyage ou le stockage.
- Lorsque vous retirez des aliments du bol, avant de le détacher de la base, assurez-vous d'abord que le moteur, les lames ou les disques sont complètement arrêtés. Déverrouillez ensuite le bol du boîtier du moteur, puis retirez soigneusement les lames, la lame de pétrissage ou le disque avant de retirer les aliments traités.
- Le bol n'est pas conçu pour broyer de la glace. Cela endommagerait les lames. Il est recommandé d'utiliser un mélangeur pour broyer la glace.
- Certains mélanges épais, comme la pâte, peuvent ralentir considérablement le mouvement de la lame. Si cela se produit, n'utilisez pas l'appareil pendant plus d'une minute. Laissez le robot culinaire refroidir avant de reprendre l'opération.
- Ne traitez pas de liquides chauds ou bouillants. Laissez les liquides

refroidir avant de les placer dans le bol. La vaporisation soudaine risquerait d'éjecter du liquide chaud et de provoquer des blessures.

- Ne déplacez pas le robot culinaire lorsqu'il est en cours d'utilisation.
- Ne laissez pas le robot culinaire sans surveillance lors de son utilisation.
- Ne placez aucune partie du robot culinaire dans un four à micro-ondes.
- Ne pas placer sur ou près d'un brûleur à gaz chaud ou électrique ou dans un four chauffé
- Ne remplissez pas le bol au-delà de la limite de remplissage maximale indiquée pour chaque type d'ingrédient. Ajoutez toujours les ingrédients plus secs ou plus épais dans le bol avant d'ajouter des liquides. Le non-respect de ces instructions peut entraîner un dysfonctionnement du

produit, des dommages au produit ou des blessures corporelles en raison de dommages au couvercle ou au bol.

- Gardez l'appareil propre. N'utilisez pas de nettoyants abrasifs ni de produits corrosifs lors du nettoyage de l'appareil. Suivez les instructions de nettoyage indiquées dans ce livret.

PRÉCAUTIONS IMPORTANTES POUR TOUS LES APPAREILS ÉLECTRIQUES

- Déroulez complètement le cordon d'alimentation avant l'utilisation.
- Ne laissez pas le cordon d'alimentation pendre sur le bord d'une table ou d'un comptoir, toucher des surfaces chaudes, ni s'enchevêtrer.
- Cet appareil ne doit pas être utilisé par des enfants. Gardez l'appareil et son cordon hors de portée des enfants. Les personnes ayant des capacités

mentales ou physiques réduites ou manquant d'expérience et de connaissances peuvent utiliser l'appareil uniquement sous surveillance, ou si elles ont reçu des instructions concernant l'utilisation sécuritaire de l'appareil et qu'elles comprennent les risques encourus.

- Le nettoyage et l'entretien de l'utilisateur ne doivent pas être effectués par des enfants sans surveillance.
- Surveillez les enfants pour s'assurer qu'ils ne jouent pas avec l'appareil.
- Il est recommandé d'inspecter régulièrement l'appareil. N'utilisez pas l'appareil si le cordon d'alimentation ou la fiche d'alimentation sont endommagés, ou si l'appareil a été endommagé de quelque manière que ce soit. Cessez immédiatement d'utiliser l'appareil

et accédez au site www.breville.com ou appelez le service à la clientèle de Breville pour demander un examen, une réparation ou un réglage.

- Pour tout entretien autre que le nettoyage, accédez au site www.breville.com ou appelez le service à la clientèle de Breville.
- Cet appareil est conçu pour usage domestique seulement. N'utilisez pas cet appareil pour autre chose que son utilisation prévue. N'utilisez pas l'appareil dans des véhicules ou des bateaux en mouvement. N'utilisez pas l'appareil à l'extérieur. Un mauvais usage peut provoquer des blessures.
- Les lames et les disques du robot culinaire sont extrêmement tranchants. Manipulez-les avec précaution. Évitez tout contact avec les pièces en mouvement durant l'utilisation. Gardez les


- mains, les cheveux, les vêtements, les spatules et autres ustensiles hors du tube d'alimentation du robot afin d'éviter toute blessure ou tout dommage à l'appareil. Utilisez toujours le poussoir pour pousser les aliments dans le tube d'alimentation.
- Pour éviter tout risque de réactivation accidentelle par un coupe-circuit thermique, cet appareil ne doit pas être alimenté par un dispositif de commutation externe, tel qu'une minuterie, ni être connecté à un circuit qui est régulièrement mis en marche et arrêté.
 - Si la prise de courant est une prise murale standard à deux broches, il vous incombe de la faire remplacer par une prise murale à trois broches correctement mise à la terre.
 - Ne coupez pas ou ne retirez en aucun cas la troisième broche (mise à la terre) du cordon d'alimentation et n'utilisez pas d'adaptateur.
 - Consultez un électricien qualifié si les instructions ne sont pas entièrement claires ou si vous avez des doutes quant à une mise en terre correcte de l'appareil.
 - L'installation d'un courant résiduel (interrupteur de sécurité) est recommandée pour assurer une sécurité supplémentaire lors de l'utilisation d'un appareil électrique. Il est recommandé d'installer un interrupteur de sécurité à fonctionnement nominal n'excédant pas 30mA sur le circuit électrique alimentant l'appareil. Consultez votre électricien pour des conseils professionnels.

INSTRUCTIONS RELATIVES À UN CORDON COURT

Votre appareil Breville est équipé d'un cordon d'alimentation court pour réduire les blessures ou les dommages matériels résultant de la traction, du trébuchement ou de l'enchevêtrement avec un cordon plus long. Si une rallonge est utilisée, (1) la puissance électrique du cordon ou de la rallonge doit être au moins aussi élevée que la puissance électrique de l'appareil, (2) le cordon doit être disposé de manière à ne pas dépasser du comptoir ou du dessus de table où il pourrait être agrippé par des enfants ou faire trébucher et (3) la rallonge doit comprendre une prise de terre à 3 broches.

AVERTISSEMENT

Pour éviter un éventuel dysfonctionnement de l'interrupteur automatique du bol, ne placez pas le couvercle en position verrouillée lorsque l'appareil est inutilisé.

 Pour vous protéger contre les incendies et les chocs électriques, n'immergez pas le cordon d'alimentation, la fiche d'alimentation, ni toute autre partie de l'appareil dans l'eau ou un autre liquide.

**CET APPAREIL EST CONÇU POUR UN
USAGE DOMESTIQUE SEULEMENT.
CONSERVEZ LES PRÉSENTES
INSTRUCTIONS.**



Composants

A. Petit capuchon-poussoir

Le petit capuchon-poussoir sert de couvercle au petit tube d'alimentation.

B. Petit poussoir

Procure un meilleur contrôle des ingrédients de petite taille. Il fait aussi office de tasse à mesurer. Le robot culinaire fonctionnera de manière continue que le petit poussoir soit en place ou non.

C. Grand poussoir

Permet de pousser les aliments dans le tube d'alimentation. Le robot culinaire ne démarrera pas si le grand poussoir n'est pas correctement en place.

D. Système de sécurité du tube d'alimentation

Empêche le moteur de fonctionner tant que le bol et le couvercle ne sont pas correctement verrouillés en place, et que le grand poussoir n'est pas inséré.

E. Couvercle avec joint en silicone

Se verrouille sur le bol.

F. Bol principal avec poignée

Le bol se verrouille sur le socle-moteur.

G. INTERRUPTEUR

H. Bouton IMPULSION (PULSE)

Maintenez ce bouton enfoncé brièvement pour produire de courtes impulsions. Le moteur s'arrêtera automatiquement dès que vous relâchez le bouton IMPULSION (PULSE).

I. Bouton MARCHÉ | ARRÊT

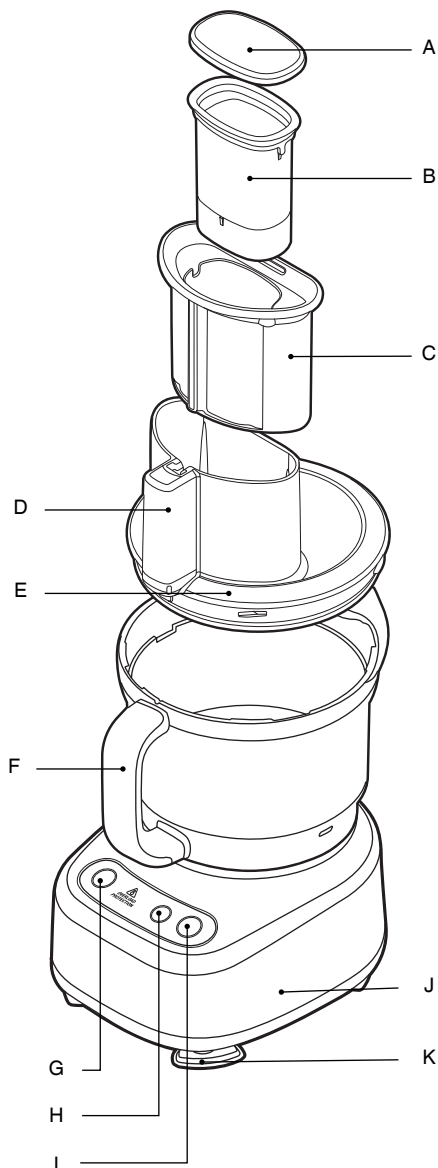
Appuyez sur ce bouton pour démarrer et arrêter le moteur.

J. Puissant socle-moteur à induction

Un moteur à induction muni d'un système de freinage sécurisé.

K. Pieds en caoutchouc antidérapants

Rehausse la sécurité et la stabilité.



1. lame de découpage

S'emploie avec la grille de découpage pour couper les aliments en dés.

2. Grille de découpage

S'emploie avec la lame de découpage pour couper les aliments en dés.

3. Nettoyeur de grille de découpage

Sert à nettoyer la grille de découpage.

4. Tige principale

La lame ou les disques se fixent sur la tige principale.

5. Tige adaptée

S'emploie avec le kit de découpage.

6. Déchiqueteur réversible

Utilisez un côté de ce disque pour obtenir un déchiquetage fin, et l'autre côté pour obtenir un déchiquetage grossier.

7. Disque éminceur réglable

Utilisez ce disque pour trancher les ingrédients. Il est capable de produire des tranches d'une épaisseur allant de 0,3 mm à 6 mm.

8. S-Blade™

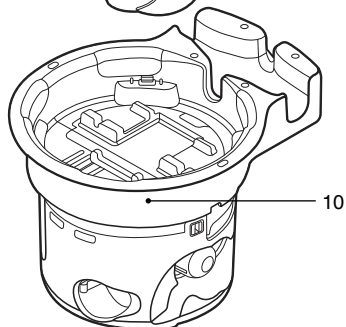
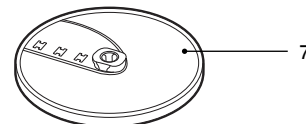
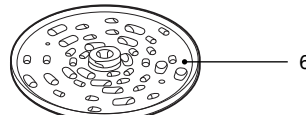
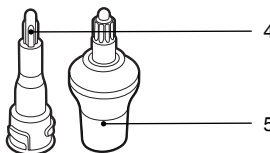
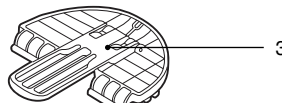
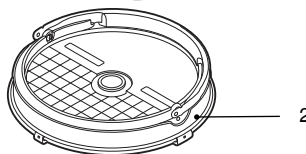
Cette lame permet de hacher, de malaxer et de mélanger rapidement divers ingrédients.

9. lame de pétrissage

Une lame en matériau souple pour pétrir la pâte.

10. Porte-accessoires

Pour ranger tous les accessoires.

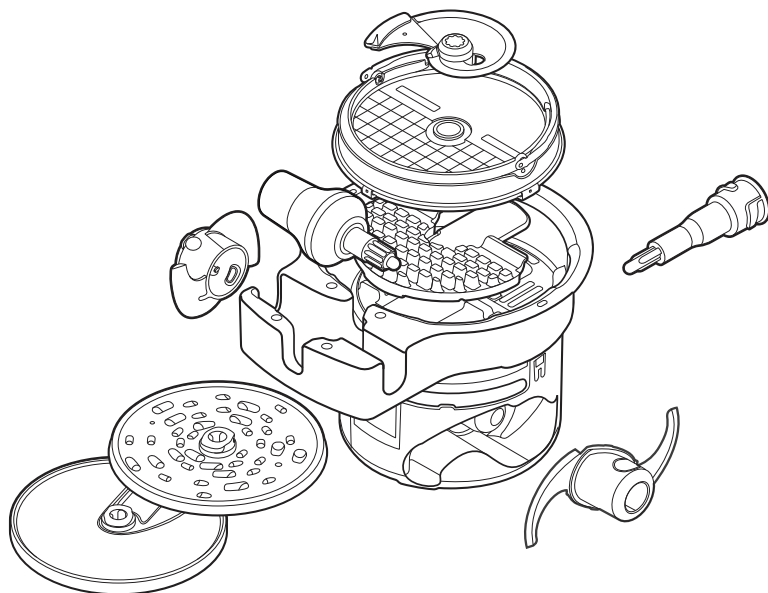


CONSEIL

Comment retirer le porte-accessoires du bol?
Lorsque le couvercle est posé sur le porte-accessoires, saisissez son bord extérieur en dessous de l'endroit où se pose le couvercle, puis soulevez le porte-accessoires de manière à le sortir du bol. Il suffit ensuite de soulever le couvercle du porte-accessoires pour accéder à son contenu.

DÉTACHER ET FIXER LES ACCESSOIRES

- Les accessoires ont tous leur place dans le porte-accessoires, dont la couleur a été coordonnée à celle de l'appareil.
- Tous les accessoires sont accessibles, indépendamment les uns des autres.





Assemblage

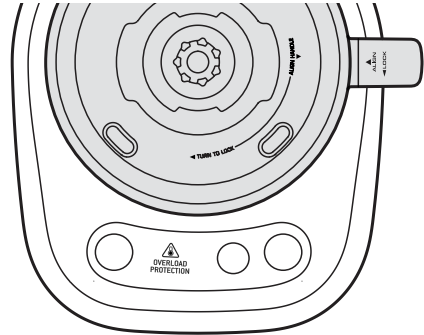
AVANT LA PREMIÈRE UTILISATION

- Avant d'utiliser votre robot culinaire pour la première fois, retirez tous les emballages et toutes les étiquettes promotionnelles. Assurez-vous que l'interrupteur est en position fermée (bouton OFF) et que le robot culinaire est débranché.
- Soyez prudent en manipulant les lames et les disques, car ils sont extrêmement coupants.
- Lavez le bol, le couvercle et tous les accessoires dans de l'eau savonneuse tiède avec un chiffon doux. Rincez-les et faites-les sécher soigneusement. À l'exception de la tige adaptée, du poussoir et du couvercle du poussoir, tous les accessoires peuvent être lavés au lave-vaisselle.
- Lors de votre première utilisation du robot culinaire, vous pourriez remarquer une odeur provenant du moteur. Ceci est normal et se dissipera à l'usage.
- Utilisez toujours le robot culinaire sur une surface de travail sèche et plane.

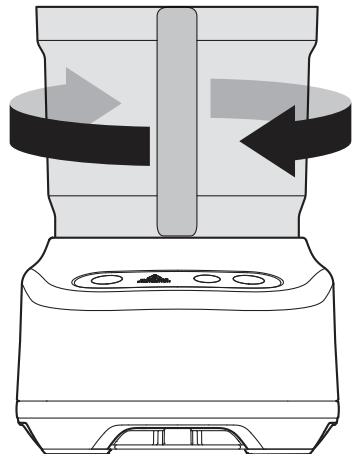
ASSEMBLAGE

Socle-moteur et bol

1. Placez le bol sur le socle-moteur, la poignée alignée selon l'indication **ALIGNER LA POIGNÉE** sur le socle-moteur.



2. Faites tourner le bol dans le sens horaire jusqu'à ce que la poignée se verrouille vers l'avant. Le bol devrait désormais être verrouillé en toute sécurité dans cette position. Le robot culinaire ne fonctionnera pas si le bol n'est pas correctement verrouillé en place.



Tiges et disques

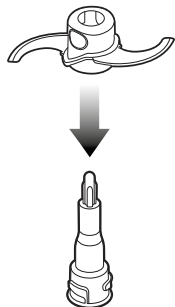


AVERTISSEMENT

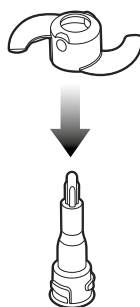
Soyez prudent en manipulant les lames, les grilles et les disques, car ils sont extrêmement coupants.



Lame S-blade™
sur la tige



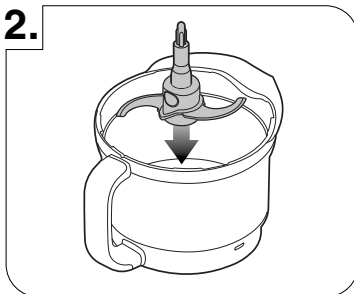
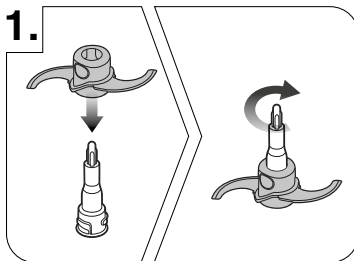
Lame de pétrissage
sur la tige



1. La première chose à faire est d'assembler l'accessoire choisi (lame S-blade™ ou lame de pétrissage) sur la tige et les placer en position sur le coupleur au centre du bol de traitement. Ensuite, placez le couvercle sur le bol.
2. La tige adaptée est nécessaire pour l'utilisation du kit de découpage. Pour couper des légumes ou des fruits en dés, insérez d'abord la tige adaptée dans le bol, puis la grille de découpage, en veillant à l'aligner sur les quatre languettes du bol, puis placez la lame de découpage sur la grille, par-dessus la tige adaptée. Assurez-vous que la partie plate de la lame (son extrémité) est alignée avec la zone qui indique « Insérer la lame » de la grille.

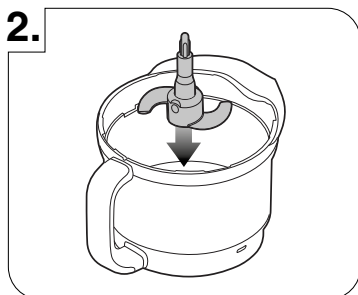
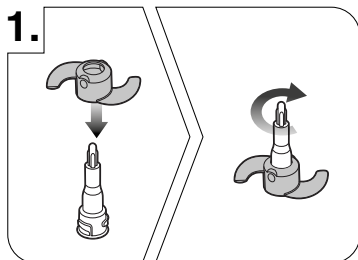
Tige et lame S-blade™

1. Insérez soigneusement la lame S-blade sur la tige puis tournez-la dans le sens horaire jusqu'à ce qu'elle soit fermement verrouillée en place.
2. Avec précaution, placez la tige et la lame S-blade assemblées sur le coupleur au centre du bol. Évitez de toucher les lames.



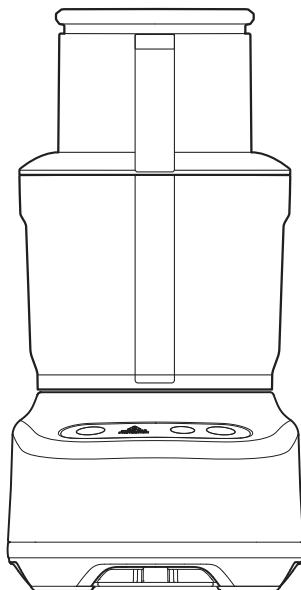
Tige et lame de pétrissage

1. Insérez la lame de pétrissage sur la tige puis tournez-la dans le sens horaire jusqu'à ce qu'elle soit fermement verrouillée en place.
2. Placez la tige et la lame de pétrissage assemblées sur le coupleur au centre du bol.

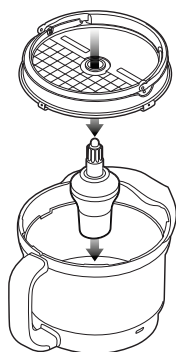


Couvercle

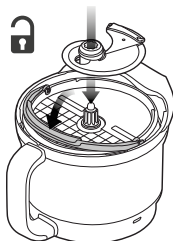
Placez le couvercle sur le bol. Pour verrouiller le couvercle, tenez le tube et faites tourner le couvercle dans le sens horaire, de manière à aligner les pièces de la poignée. Lorsque vous verrouillez le couvercle correctement, le verrouillage de sécurité de la poignée s'enclenche.



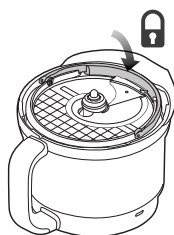
De découpage assemblage



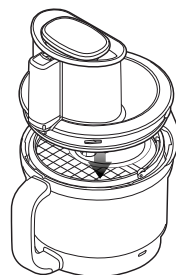
1.



2.



3.



4.



Fonctions

FONCTIONNEMENT

Premiers pas

Le robot culinaire ne fonctionnera que si le bol, le couvercle et le grand poussoir sont correctement assemblés. Cela enclenche de verrouillage de sécurité et permet au moteur de fonctionner.

Le tube dispose d'un indicateur de capacité maximale (CHUTE FILL MAX) qui indique le volume maximal d'aliments pour que le poussoir active le verrouillage de sécurité.

Panneau de configuration

Lorsque la machine est branchée sur une prise de courant et que vous appuyez sur l'interrupteur (bouton POWER), les boutons s'allument et le robot culinaire est prêt à fonctionner.

Si vous appuyez sur l'interrupteur (bouton POWER) à cette étape, vous éteindrez l'appareil.

Si vous appuyez sur le bouton MARCHE | ARRÊT, le moteur démarrera pour fonctionner en continu.

Appuyez à nouveau sur MARCHE | ARRÊT pour arrêter le moteur.

Appuyez sur MARCHE | ARRÊT pour continuer le traitement, ou appuyez sur l'interrupteur (bouton POWER) pour mettre l'appareil en veille.

Si vous retirez le grand poussoir durant le traitement, le moteur s'arrêtera. Vous pouvez ajouter des ingrédients dans le tube d'alimentation, et l'appareil poursuivra le traitement lorsque vous remettrez le grand poussoir en place.

Si vous appuyez sur le bouton IMPULSION (PULSE), le moteur fonctionnera uniquement si le bouton est maintenu enfoncé.

Utilisez une combinaison des boutons IMPULSION (PULSE) et MARCHE | ARRÊT pour obtenir plus de contrôle lors du traitement des ingrédients.

Après le traitement

Attendez que les lames ou les disques aient cessé de bouger avant de déverrouiller le couvercle.

Assurez-vous que l'appareil est désactivé à l'aide de l'interrupteur (bouton POWER) et en débranchant le câble d'alimentation de la prise de courant avant de manipuler les lames.

Lorsque vous retirez les lames ou les disques, soulevez la pièce en agrippant avec précaution la zone du moyeu en plastique au centre.

Système de protection contre les surcharges

Le robot culinaire possède un système de protection contre les surcharges pour prévenir les dommages au moteur. Ce dernier mettra le robot culinaire en mode veille.


Débranchez le robot culinaire et laissez-le refroidir pendant 30 minutes.


Si les lames ou les disques calent pendant la transformation, arrêtez immédiatement la machine, puis débranchez-la de la prise de courant avant de nettoyer les ingrédients coincés. Si cela se produit plus d'une fois, le bol est peut-être trop chargé. Essayez de traiter les aliments en plus petites quantités.



Conseils

Les conseils indiqués ci-dessous ne sont que des suggestions. Pour consulter des instructions plus détaillées, veuillez vous reporter aux recettes fournies en ligne à l'adresse www.breville.com.

ACCESSOIRE	ACTION	TYPES D'INGRÉDIENTS OU DE METS	CONSEILS
S-Blade™	Hacher	<ul style="list-style-type: none">• Fruits et légumes crus• Viandes et poissons crus ou cuits• Herbes fraîches• Chapelure• Noix• Fruits secs	<ul style="list-style-type: none">• Si nécessaire, coupez les aliments en dés de 2,5 cm de côté avant le traitement.  AVERTISSEMENT Ne faites pas fonctionner le moteur plus de 1 minute à la fois.
	Viande hachée	<ul style="list-style-type: none">• Protéines crues et cuites	<ul style="list-style-type: none">• Coupez les aliments en dés de 2,5 cm avant le traitement.• Pour obtenir des résultats optimaux, congelez les viandes pendant 30 minutes.• Coupez l'excédent de graisses et de tendons.
	Purée ou mélange	<ul style="list-style-type: none">• Fruits et légumes cuits	<ul style="list-style-type: none">• Laissez les aliments refroidir avant de les réduire en purée ou de les mélanger.
	Malaxer	<ul style="list-style-type: none">• Sauces• Pâtes à frire• Pesto• Beurre composés	<ul style="list-style-type: none">• Pour les pâtes à frire, utilisez le bouton IMPULSION (PULSE) jusqu'à ce que le malaxage soit uniforme. Ne traitez pas les aliments trop longtemps.
Lame de pétrissage	Pétrir	<ul style="list-style-type: none">• Pâtes à pain et à pizza	<ul style="list-style-type: none">• Pendant que le moteur tourne, ajoutez du liquide par le petit tube d'alimentation pour qu'il soit bien incorporé.• Recette recommandée<ul style="list-style-type: none">- 375 g de farine - 235 g d'eau- 10 g de sucre - 8 g de levure- 7 g de sel• Quantité maximale de farine = 525 g
Disque éminceur réglable	Trancher	<ul style="list-style-type: none">• Aliments et légumes crus• Salamis et charcuteries	<ul style="list-style-type: none">• Placez les ingrédients verticalement sur le côté gauche du tube d'alimentation de taille appropriée pour minimiser l'inclinaison.• Pour les charcuteries comme le salami ou le pepperoni, coupez une extrémité et transformez-les un par un.

ACCESSOIRE	ACTION	TYPES D'INGRÉDIENTS OU DE METS	CONSEILS
Disque de déchiquetage réversible	Déchiquetage grossier et fin	<ul style="list-style-type: none"> • Fromages • Fruits et légumes comme des pommes, des pommes de terre et du chou 	<ul style="list-style-type: none"> • Pour obtenir des résultats optimaux, congelez les fromages les plus mous pendant 45 minutes avant de les râper.
			 REMARQUE <p>Il n'est pas recommandé de râper des fromages blancs à pâte molle comme la mozzarella fraîche.</p> <ul style="list-style-type: none"> • Enlevez la croûte des fromages durs avant de les râper.
Kit de découpage	Découpage	<ul style="list-style-type: none"> • Légumes et fruits crus ou cuits 	<ul style="list-style-type: none"> • Utilisez un tube d'alimentation petit pour les ingrédients plus durs comme la carotte ou la citrouille. Pour obtenir des résultats encore meilleurs, vous pouvez aussi précuire les aliments • Lorsque vous découpez en dés des tomates ou des avocats, vous obtiendrez de meilleurs résultats en choisissant ceux qui sont plus fermes.



REMARQUES IMPORTANTES

Pour obtenir des résultats optimaux, choisissez le tube de la taille appropriée pour les aliments, placez-y les aliments et utilisez le poussoir pour les pousser vers le bas en appliquant une force modérée avant de démarrer le robot culinaire.

Pression

Lors du traitement, ne faites jamais descendre les aliments par la force dans le tube, car cela pourrait endommager les disques. Appliquez une pression légère, uniforme, pour les aliments mous comme les tomates et les bananes. Appliquez une pression moyenne, uniforme, pour les aliments plus durs comme les pommes de terre, le fromage, la charcuterie et les pommes.



REMARQUE

Si des aliments restent coincés dans le tube, retirez le poussoir, retirez le couvercle du bol et, alors que le tube est éloigné du bol et des lames, délogez soigneusement à la main les aliments coincés dans le tube.

Ingrédients plus petits

Pour les aliments longs et minces comme les carottes, les concombres, les courgettes, etc., utilisez le petit tube d'alimentation. Cela évitera que les ingrédients basculent durant le tranchage.

Ingrédients plus grands

Le grand tube d'alimentation mesure 12 cm de large et peut contenir des ingrédients de taille inférieure ou égale à cette dimension. La taille de l'aliment doit s'adapter parfaitement au tube afin qu'il soit soutenu en position verticale, mais non pas au point d'empêcher sa descente dans le tube. Assurez-vous de ne pas trop remplir le tube, car le poussoir n'activera pas le verrouillage de sécurité si le tube est trop plein. Ne le remplissez pas au-delà de la marque MAX.



Entretien et nettoyage

Par mesure de sécurité, débranchez le cordon d'alimentation de la prise de courant après l'utilisation.

Bol et couvercle

En raison des composants de verrouillage, nous ne recommandons pas d'immerger le bol et le couvercle dans l'eau pour de longues périodes.

Afin de garder votre bol et votre couvercle propres, et d'éviter que de la nourriture sèche y colle, suivez les étapes ci-dessous dès que possible après utilisation :

- Rincez le bol pour enlever la plupart des ingrédients qui s'y trouvent.
- Lavez-le à la main dans de l'eau savonneuse propre, à l'aide d'un détergent liquide doux et d'une éponge non abrasive.
- Le bol et le couvercle peuvent parfois être lavés au lave-vaisselle (dans le panier supérieur seulement), mais le lavage au lave-vaisselle n'est pas recommandé de manière régulière, car une exposition prolongée à des détergents agressifs, à l'eau chaude et à la pression endommagera et raccourcira la durée de vie du plastique et des composants de verrouillage.



AVERTISSEMENT

Les huiles contenues dans l'écorce d'agrumes peuvent endommager le matériau de votre bol de robot culinaire s'il y est exposé pendant une période plus longue. Nettoyez toujours votre bol immédiatement après le traitement d'écorce d'agrumes.



AVERTISSEMENT

Ne touchez pas les lames de la grille de découpage. Elles sont extrêmement tranchantes.

Tige adaptée et porte-accessoires

La tige adaptée et le porte-accessoires (si nécessaire) doivent être lavés à la main.

Lames et disques

- Les lames et les disques sont extrêmement coupants : ne les touchez pas. Utilisez toujours une spatule ou une brosse pour enlever de la nourriture ou lorsque vous nettoyez les lames.
- La tige, les lames et les disques peuvent être lavés au lave-vaisselle.

Retirer la lame de découpage

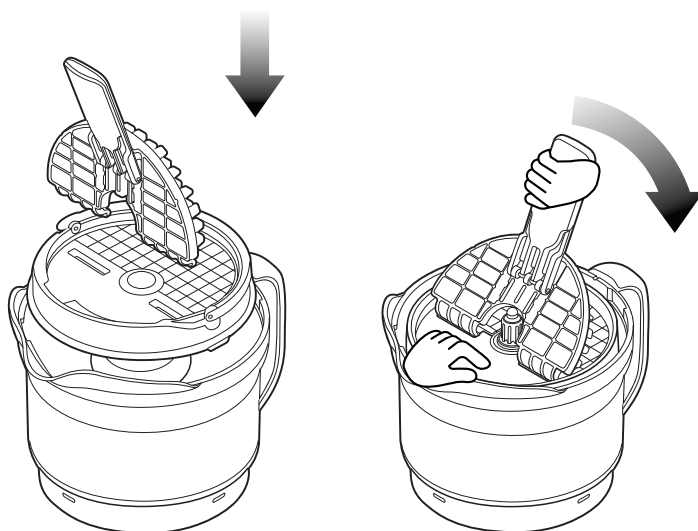
1. Après avoir retiré le couvercle du bol, utilisez le pouce et l'index pour saisir avec précaution le moyeu de la lame de découpage.
2. Soulevez et retirez simultanément la tige adaptée et mettez-la de côté.



REMARQUE

S'il n'est pas possible de retirer la lame, replacez le couvercle sur le bol, placez le grand poussoir dans le tube d'alimentation du couvercle, puis appuyez sur le bouton d'impulsion jusqu'à ce que l'extrémité de la lame s'arrête dans la zone d'insertion de la lame.

Ensuite, répétez les étapes ci-dessus.



Nettoyer la grille de découpage



REMARQUES

- Assurez-vous d'abord que la lame de découpage a été retirée.
 - La grille de découpage doit rester correctement montée sur le bol avant d'utiliser le nettoyeur.
 - La tige adaptée peut rester à l'intérieur du bol et de la grille.
1. Sortez le nettoyeur du porte-accessoires, puis relevez la poignée.
 2. Alignez puis insérez les languettes de nettoyage dans les fentes de la grille, en veillant à ce que le nettoyeur soit bien droit.
 3. D'une main, saisissez la poignée du nettoyeur. Avec l'autre main, exercez une pression sur le côté plat de la grille.
 4. Poussez la poignée du nettoyeur vers le bord du bol, en maintenant la pression sur la grille avec l'autre main. Les aliments devraient commencer à sortir de la grille et tomber dans le bol.
 5. Continuez à pousser vers le bas avec la poignée jusqu'à ce que vous ne sentiez plus de résistance et qu'il ne soit plus possible de pousser davantage.
 6. Soulevez la poignée et retirez le nettoyeur des fentes de la grille. Répétez l'opération s'il reste de gros morceaux.



REMARQUE

Les petits morceaux restants peuvent être éliminés à l'aide d'une brosse ou en les rinçant dans l'évier.

Socle-moteur

Pour nettoyer le socle-moteur, essuyez-le avec un chiffon doux et humide puis séchez-le soigneusement. Essayez les particules de nourriture excédentaires sur le cordon d'alimentation.

Produits de nettoyage

N'utilisez pas de tampons ou de nettoyeurs abrasifs sur le socle-moteur ou sur les bols, car ils pourraient rayer la surface. N'utilisez que de l'eau savonneuse tiède et un chiffon doux.

Les aliments à forte odeur, tels que l'ail, le poisson et certains légumes comme la carotte peuvent laisser une odeur, ou tacher le bol ou le couvercle. Pour les enlever, versez de l'eau savonneuse dans le bol (ne le remplissez pas trop). Laissez tremper pendant 5 minutes, sans immerger l'intégralité du bol. Lavez-le avec un détergent doux et de l'eau chaude, rincez-le, puis séchez-le soigneusement. Rangez le bol et le couvercle séparément.



Résolution de problèmes

PROBLÈME	SOLUTION FACILE
La nourriture n'est pas traitée de manière uniforme	<ul style="list-style-type: none">• Les ingrédients doivent être coupés de manière uniforme en carrés de 2,5 cm avant le traitement.• Les ingrédients doivent être traités par lots pour éviter la surcharge.
Les tranches sont diagonales ou inégales	<ul style="list-style-type: none">• Placez la nourriture coupée de manière uniforme dans le tube d'alimentation.• Appliquez une pression uniforme sur le poussoir.
La nourriture tombe dans le tube d'alimentation	<ul style="list-style-type: none">• Il y a deux tailles de tube, pour des produits de différente dimension. Veillez à ce que le tube soit bien rempli d'aliments pour obtenir des résultats optimaux.
Il reste de la nourriture sur le dessus du disque après le traitement	<ul style="list-style-type: none">• Il est normal qu'il reste des morceaux d'aliments après le traitement.
Le moteur ralentit lorsqu'il pétrit de la pâte	<ul style="list-style-type: none">• La quantité de pâte ne doit pas dépasser la quantité maximale recommandée dans la recette. Enlevez-en la moitié et traitée-la en deux lots.• La pâte est peut-être trop sèche. Si le moteur accélère, continuez la transformation. Dans le cas contraire, ajoutez de l'eau, une cuillère à soupe à la fois, jusqu'à ce que le moteur accélère. Continuez ainsi jusqu'à ce que la pâte n'adhère plus au bord du bol.
La pâte reste collée à l'intérieur du bol	<ul style="list-style-type: none">• La quantité de pâte dépasse peut-être la capacité maximale du robot culinaire. Enlevez-en la moitié et traitée-la en deux lots.• La pâte est peut-être trop sèche.
Des morceaux de pâte se forment sur le dessus de la lame de pétrissage, et la pâte n'est pas pétrie uniformément	<ul style="list-style-type: none">• Arrêtez la machine, retirez soigneusement la pâte, divisez-la en trois parties, puis redistribuez-la uniformément dans le bol.
La pâte semble dure après avoir été pétrie	<ul style="list-style-type: none">• Divisez la pâte en deux ou trois parties, puis redistribuez-la de manière uniforme dans le bol. Traitez-la pendant 10 secondes ou jusqu'à ce qu'elle soit uniformément molle et souple. En laissant la pâte reposer, vous permettez aux brins de gluten de se relâcher et de devenir plus souples.
La pâte est trop sèche	<ul style="list-style-type: none">• Pendant que la machine fonctionne, ajoutez de l'eau par le petit tube d'alimentation, une cuillère à soupe à la fois, jusqu'à ce que la pâte décolle de l'intérieur du bol.
La pâte est trop humide	<ul style="list-style-type: none">• Pendant que la machine fonctionne, ajoutez de la farine par le petit tube d'alimentation, une cuillère à soupe à la fois, jusqu'à ce que la pâte décolle de l'intérieur du bol.
Le moteur ne démarre pas	<ul style="list-style-type: none">• Il y a un commutateur de verrouillage de sécurité pour empêcher le moteur de démarrer s'il n'est pas correctement assemblé. Assurez-vous que le couvercle du bol et le gros poussoir sont bien verrouillés en place.• La quantité de nourriture présente dans le tube d'alimentation doit être sous la ligne de remplissage maximale.• Si le moteur ne démarre toujours pas, vérifiez le cordon d'alimentation et la prise de courant.

PROBLÈME**SOLUTION FACILE****Le robot culinaire s'arrête en cours de fonctionnement**

- Le couvercle s'est peut-être déverrouillé. Assurez-vous qu'il est bien en place.
- Si le moteur est en surcharge, l'icône PROTECTION CONTRE LES SURCHARGES (OVERLOAD PROTECTION) se mettra à clignoter à l'écran. Éteignez l'appareil en appuyant sur l'interrupteur (bouton POWER) et en débranchant le cordon d'alimentation. Laissez le robot culinaire refroidir pendant 30 minutes avant de reprendre l'opération.

Le moteur a ralenti pendant le fonctionnement

- Un ralentissement est normal, car certaines charges plus lourdes (par exemple, le tranchage ou le déchiquetage du fromage) peuvent amener le moteur à travailler plus fort. Repositionnez les aliments dans le tube d'alimentation et coupez-les en plus petits morceaux, utilisez un poussoir plus petit et continuez le traitement.
- La capacité de charge maximale a peut-être été dépassée. Enlevez certains ingrédients et continuez le traitement.

Le robot culinaire vibre ou bouge durant l'utilisation

- Assurez-vous que les pieds en caoutchouc sous l'appareil sont propres et secs. Assurez-vous également que la capacité de charge maximale n'a pas été dépassée.
- Ceci est normal, car certaines charges plus importantes peuvent amener le moteur à travailler plus fort.
- Éteignez l'unité et retirez tout ingrédient pouvant être coincé sur le disque, avant de continuer.
- Si cela se produit lors du malaxage de la pâte, éteignez l'unité et redistribuez le mélange de pâte plus uniformément dans le bol avant de continuer.
- Traitez les aliments durs et fibreux tels que les carottes à l'aide du tube de taille petite.

Lame de découpage coincée sur la tige

- Remettez le couvercle sur le bol et insérez le grand poussoir dans le tube.
- Appuyez une fois sur le bouton d'impulsion et vérifiez que la lame est alignée sur la zone d'insertion de la lame. Si ce n'est pas le cas, répétez l'opération jusqu'à ce que ce soit le cas. Il peut être nécessaire d'enlever le couvercle pour confirmer.
- Lorsque le couvercle est retiré et que la lame est dans la bonne position, saisissez délicatement le moyeu de la lame avec le pouce et l'index. Ensuite, soulevez la lame vers le haut et sortez-la de la tige.

BILT. × Breville®

Scan for 3D interactive set up
 Configuration interactive 3D
 Configuración interactiva en 3D



DÉTACHER ET FIXER LES ÉLÉMENTS DU PORTE-ACCESSOIRES

Retirez et fixez le porte-accessoires uniquement après avoir retiré tous les accessoires. Reportez-vous à ces instructions dans les cas suivants :

S'il est tombé et s'il s'est démonté.

FIXER UNE PIÈCE OU UN ACCESSOIRE

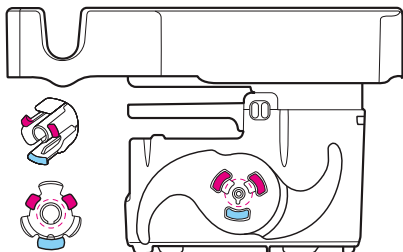
Pinces-lames

1. Repérez le bon côté du porte-accessoires (lame de pétrissage ou lame de hachage) et la bonne pince-lame.
2. Insérez l'embout de la pince-lame dans la cheville de la base du porte-accessoires. Veillez à ce que les pattes de la pince-lame soient bien alignées.
3. Continuez de pousser sur la pince-lame jusqu'à ce que ses pattes se soient enclenchées dans les trous sur la base du porte-accessoires. Assurez-vous que les trois pattes se sont enclenchées dans la base du porte-accessoires.

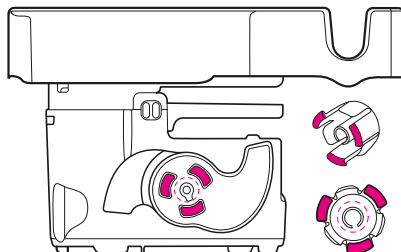


AVERTISSEMENT

Ne touchez pas les lames de la grille de découpage ni la lame de découpage, car elles sont extrêmement tranchantes.



Pince pour la S-blade™
Vue latérale droite

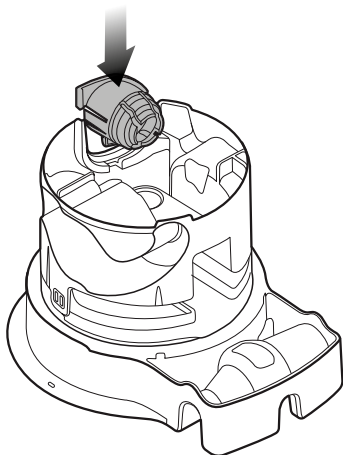


Pince pour la lame de pétrissage
Vue latérale gauche

FIXER UNE PIÈCE OU UN ACCESSOIRE

Gaine de la tige

1. Retirez tous les accessoires et retournez le porte-accessoires (**AVERTISSEMENT!** Les lames sont très coupantes).
2. Faites glisser la gaine vers le bas dans les nervures de guidage. Continuez à appuyer jusqu'à ce que la pince s'enclenche en place. Press further until clip is locked into position.



Boîtier de découpage

1. Prenez le boîtier de découpage et alignez les nervures sur les fentes du boîtier de déchiquetage.
2. Placez le boîtier de découpage sur le dessus du boîtier de déchiquetage en veillant à ce que les nervures soient correctement engagées dans les fentes.
3. Faites glisser le boîtier de découpage vers l'avant et vers l'intérieur, en veillant à ce que son crochet s'enclenche sous la poignée du boîtier de déchiquetage.



REMARQUE

- Lavez et rincez à la main seulement.

DÉTACHER UNE PIÈCE OU UN ACCESSOIRE

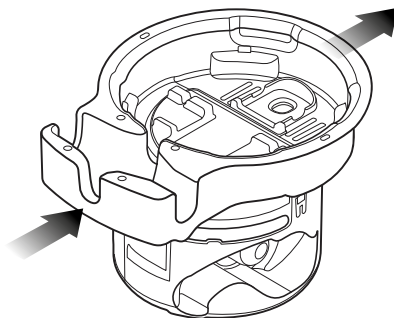
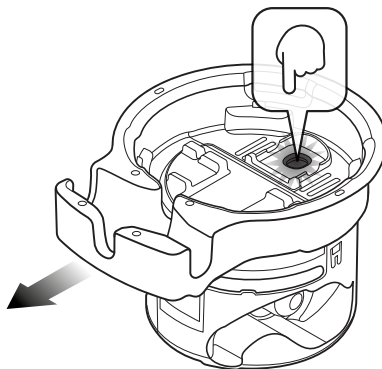
Boîtier de découpage

1. Retirez tous les accessoires du porte-accessoires (**AVERTISSEMENT!** Les lames sont très coupantes).
2. Appuyez sur le bouton de déverrouillage et faites glisser le boîtier de découpage vers l'arrière pour le déloger.
3. Poussez la poignée du boîtier de déchiquetage vers le bas et continuez à faire glisser le boîtier pour le détacher.



REMARQUE

- Lavez et rincez à la main seulement.





Remarques

the Paradise™ 9



Breville®

ES-MX MANUAL DE INSTRUCCIONES

BILT. × Breville®

Scan for 3D interactive set up
Configuration interactive 3D
Configuración interactiva en 3D



Download on the
App Store

GET IT ON
Google Play



Índice

- 2 Breville® Recomienda anteponer la seguridad
- 2 Garantía limitada
- 9 Componentes
- 12 Montaje
- 15 Funciones
- 16 Consejos
- 18 Cuidado y limpieza
- 20 Resolución de problemas



Garantía limitada

La garantía de Breville para este producto cubre la reparación o sustitución si se encuentra defectuoso debido a fallas en los materiales, mano de obra o funcionamiento dentro del periodo de garantía.

Todos los derechos de garantía legales según la legislación nacional aplicable serán respetados y no se verán anulados por nuestra garantía. Para ver más detalles sobre la duración de la garantía, obtener una copia por escrito o leer todos los términos y condiciones, escanee el código QR o visite www.breville.com



También puede llamar al Centro de Servicios de Breville (consulte la información de contacto en el dorso).

BREVILLE® RECOMIENDA ANTEPONER LA SEGURIDAD

En Breville somos muy conscientes de lo importante que es la seguridad. La seguridad es nuestra prioridad a la hora de diseñar y fabricar productos para clientes valiosos como usted. En este sentido, le pedimos tener sumo cuidado al usar cualquier equipo eléctrico y cumplir con las siguientes precauciones.

CONSIDERACIONES IMPORTANTES

ANTES DE USAR ESTE APARATO, LEA TODAS LAS INSTRUCCIONES Y GUÁRDELAS PARA FUTURAS CONSULTAS

- Antes de usar el procesador de alimentos por primera vez, retire cualquier material de empaque o etiquetas promocionales.

- No deje el procesador de alimentos cerca del borde de la mesa o encimera ni sobre la placa para secar platos durante su funcionamiento. Asegúrese de que la superficie esté nivelada, limpia y libre de agua, harina u otros restos. La vibración durante el funcionamiento puede hacer que el equipo se mueva.
- Manipule el procesador de alimentos y los accesorios con cuidado. Las cuchillas y los discos son muy filosos y deben mantenerse fuera del alcance de los niños.
- Tenga cuidado al tomar las cuchillas, vaciar el bol y limpiar el equipo.
- Siempre asegúrese de que el procesador de alimentos esté completamente ensamblado y con la tapa bien colocada antes de utilizarlo. El aparato no funcionará a menos que esté ensamblado correctamente.
- Asegúrese de haber presionado el botón OFF (Apagado) y de haber desenchufado el procesador de alimentos antes de colocar cualquier accesorio o la tapa.
- Para desenchufar el equipo, tome el enchufe y desconéctelo de la toma de corriente. Nunca tire del cable de alimentación.
- Siempre asegure el bol de procesamiento en la base del motor antes de insertar las cuchillas o los discos.
- No empuje los alimentos por el tubo para alimentos con los dedos u otros utensilios. Siempre use el empujador de alimentos incluido.
- No acerque sus manos, cuchillos u otros utensilios a las cuchillas o discos en movimiento.

- No coloque las manos ni los dedos en el bol del procesador de alimentos a menos que el motor, las cuchillas y los discos se hayan detenido por completo.
- No utilice accesorios que no sean los provistos con el procesador de alimentos.
- No intente hacer funcionar el procesador de alimentos usando cualquier otro método distinto al descrito en este folleto.
- Asegúrese de que el motor, las cuchillas o los discos se hayan detenido por completo antes de desensamblar el equipo.
- Asegúrese de haber presionado el botón OFF (Apagado) y de haber desenchufado el cable de alimentación del tomacorriente cuando no use el equipo, no pueda supervisar su uso o antes de armarlo, limpiarlo o guardarlo.
- Tenga cuidado al retirar los alimentos del recipiente de procesamiento. Para ello, asegúrese de que el motor y las cuchillas o discos se hayan detenido por completo antes de retirar el bol. Debe liberar el bol del cuerpo del motor y retirar las cuchillas de cualquier tipo o los discos con cuidado antes de retirar los alimentos procesados.
- No muele HIELO en el bol para procesar alimentos. Hacerlo dañará las cuchillas. Le recomendamos usar una licuadora para moler hielo.
- Algunas sustancias rígidas, como la masa, pueden hacer que la cuchilla de procesamiento gire más lentamente de lo normal. Si esto sucede, no procese más de 1 minuto.
- No procese líquidos calientes ni hirviendo;

permita que se enfríen antes de colocarlos en el bol de procesamiento. Los líquidos calientes pueden salir expulsados del equipo y causar lesiones debido al vapor repentino.

- No mueva el procesador de alimentos mientras está en funcionamiento.
- No deje el procesador de alimentos sin supervisión mientras está en uso.
- No ponga ninguna parte del procesador de alimentos en el horno microondas.
- No llene el recipiente de procesamiento por encima de la línea que indica el máximo para cada tipo de ingredientes. Siempre agregue los ingredientes más secos o más gruesos al recipiente de procesamiento antes de agregar líquidos. El incumplimiento de estas instrucciones puede causar un mal funcionamiento del

producto, daños al producto o lesiones derivadas del daño en la cubierta o el recipiente.

- Mantenga limpio el equipo. No utilice limpiadores abrasivos fuertes o cáusticos para limpiar el equipo. Siga las instrucciones de limpieza proporcionadas en este manual.

CONSIDERACIONES IMPORTANTES PARA TODOS LOS EQUIPOS ELÉCTRICOS

- Antes de usar el equipo desenrolle el cable de alimentación por completo.
- No permita que el cable de alimentación cuelgue del borde de una mesa o mostrador, que toque superficies calientes ni que se enrede.
- Este electrodoméstico no debe ser utilizado por niños. Mantén el electrodoméstico y su cable fuera del alcance de los niños. El electrodoméstico

puede ser utilizado por personas con discapacidades físicas o mentales, o sin experiencia ni conocimientos de uso, siempre y cuando reciban supervisión o instrucciones para el uso seguro del electrodoméstico y comprendan los riesgos implicado.

- La limpieza y el mantenimiento del usuario no deben ser realizados por niños sin supervisión.
- Se debe supervisar a los niños para asegurarse de que no jueguen con el equipo.
- Se recomienda inspeccionar el equipo regularmente. No use el equipo si el cable de alimentación, el enchufe o el equipo se dañan de alguna manera. Suspenda inmediatamente el uso del aparato y visite www.breville.com o contacte al Servicio

al Cliente de Breville para que lo examinen, reparen o ajusten.

- Para cualquier otro mantenimiento que no sea limpieza visite www.breville.com o llame al Servicio al Cliente de Breville.
- Este aparato es para uso exclusivo en el hogar. No use este equipo para otro fin distinto al previsto. No use el equipo en vehículos o embarcaciones en movimiento. No use el equipo al aire libre. El uso incorrecto puede causar lesiones.
- Las cuchillas y discos de procesamiento son extremadamente afilados. Debe manipularlos con cuidado en todo momento. Evite el contacto con las partes móviles durante el funcionamiento. Mantenga las manos, el cabello, la ropa, espátulas y otros

- utensilios fuera del tubo para alimentos del procesador para evitar lesiones personales o daños al equipo. Siempre use el empujador de alimentos para guiar la comida dentro del tubo para alimentos.
- Reiniciar accidentalmente el sensor térmico es peligroso. Para evitarlo, el equipo no debe alimentarse con un dispositivo de conmutación externo, como un temporizador, ni debe conectarse a circuitos que se encienden y apagan con regularidad.
 - Si la toma de corriente es un tomacorriente de pared estándar de 2 clavijas, es su responsabilidad personal y obligación reemplazarlo por un tomacorriente de pared de 3 clavijas debidamente conectado a tierra.
 - Por ningún motivo corte o retire el polo a tierra de la clavija ni use un adaptador.
 - Consulte a un electricista calificado si las instrucciones no se entienden completamente o si existen dudas sobre si el equipo está correctamente conectado a tierra.
 - Se recomienda la instalación de un dispositivo de corriente residual (interruptor de seguridad) para proporcionar protección adicional al usar equipos eléctricos. Se recomienda instalar un interruptor de seguridad con una corriente de operación residual nominal que no supere los 30 mA en el circuito eléctrico que alimenta el equipo. Consulte a un electricista para obtener asesoramiento profesional.

INSTRUCCIONES DE CABLE DE ALIMENTACIÓN CORTO

Su electrodoméstico Breville está equipado con un cable de alimentación corto.

Esto ayuda a disminuir el riesgo de lesiones a personas, o daños a la propiedad, que pudieran suceder si alguien lo tirara o se tropezara con él, o si se enredara con otro cable más largo. Si se usa un cable de extensión, (1) la clasificación eléctrica marcada del juego de cables o de la extensión debe al menos igualar la clasificación eléctrica del equipo, (2) el cable debe disponerse de tal forma que no caiga sobre

una superficie donde un niño pudiera tirar de él o tropezar accidentalmente y (3) el cable de extensión debe incluir un enchufe de conexión a tierra de 3 clavijas.



ADVERTENCIA

Para evitar que el disyuntor del bol de procesamiento se averíe, no coloque la tapa de procesamiento en la posición de bloqueo cuando el equipo no se esté usando.



Para protegerse contra descargas eléctricas e incendios, no sumerja el cable de alimentación, el enchufe o el equipo en agua u otros líquidos.

PARA USO EXCLUSIVO EN EL HOGAR GUARDE ESTAS INSTRUCCIONES



Componentes

A. Tapa del empujador pequeño

La tapa del empujador pequeño sirve para cubrir el empujador de alimentos pequeño.

B. Empujador de alimentos pequeño

Para un procesamiento de ingredientes pequeños con control mejorado. También funciona como taza medidora de ingredientes. El procesador de alimentos funcionará sin importar si el empujador pequeño está dentro o fuera.

C. Empujador de alimentos grande

Para empujar los alimentos por el tubo para alimentos. El procesador de alimentos no arrancará a menos que el empujador grande esté colocado correctamente.

D. Sistema de seguridad para tubo para alimentos

Evita que el motor funcione a menos que el recipiente y la tapa estén colocados correctamente y se haya insertado el empujador de alimentos grande.

E. Tapa de procesamiento con sello de silicona

Se enclava en el recipiente de procesamiento.

F. Bol principal con asa

El bol se coloca y se asegura en la base del motor.

G. Botón POWER (Encendido | Apagado)

H. Botón PULSE (Pulsación manual)

Pulse y presione brevemente para provocar aumentos de potencia moderados. El motor se detendrá automáticamente después de soltar el botón PULSE (Pulsación manual).

I. Botón PLAY | STOP (Inicio | Pausa)

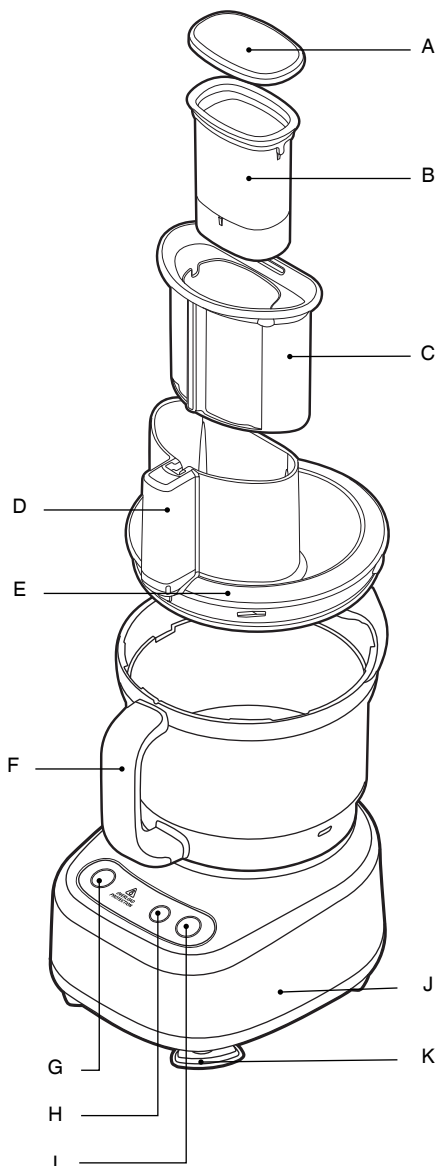
Pulse para iniciar y detener el motor.

J. Potente base de motor de inducción

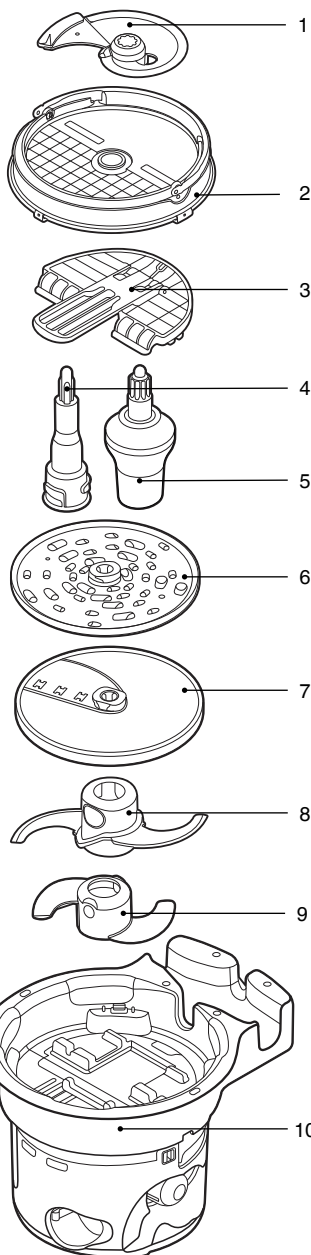
Motor de inducción con sistema de frenado de seguridad.

K. Patas de goma antideslizante

Para mayor seguridad y estabilidad.



- 1. Cuchilla para cortar en cubitos**
Se usa con la rejilla para cortar en cubitos.
- 2. Rejilla para cortar en cubitos**
Se usa con la cuchilla para cortar en cubitos.
- 3. Limpiador de rejilla**
Se usa para limpiar la rejilla para cortar en cubitos en cubitos.
- 4. Eje principal**
En él se fijan las cuchillas o discos.
- 5. Eje de engranaje para corte en cubos**
Para usar con el kit para cortar en cubitos.
- 6. Rallador reversible**
Use un lado del disco para un rallado fino y el otro para un rallado grueso.
- 7. Rebanador ajustable**
Use este disco para rebanar ingredientes. Corta rebanadas de 0.3 mm a 6.0 mm de grueso.
- 8. Cuchilla S-Blade™**
Para cortar, mezclar y licuar un sinfín de ingredientes rápidamente.
- 9. Cuchilla para masa**
Cuchilla de material blando para amasar.
- 10. Estuche**
Para guardar todos los accesorios.

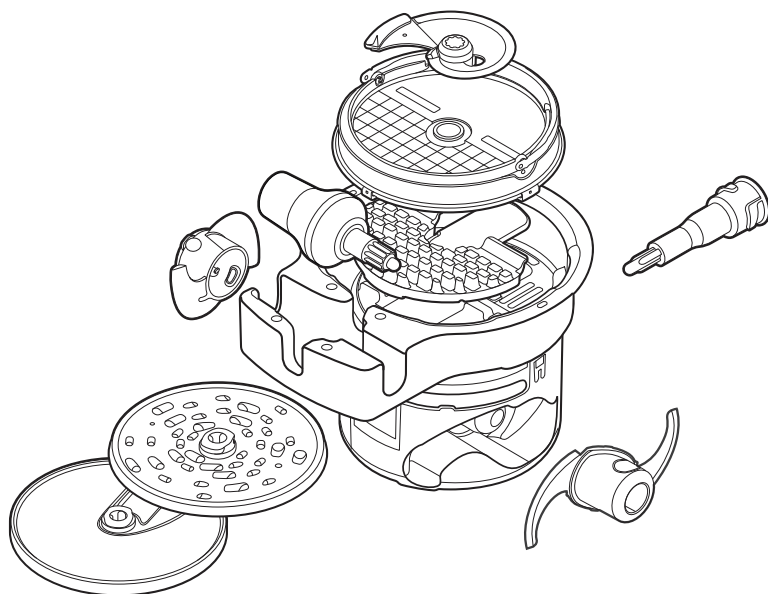


CONSEJO

¿Cómo retirar el estuche del bol? Asegúrese de que la tapa esté puesta y tome el estuche por debajo de donde se encuentra la tapa. Luego, retire el estuche del bol. Finalmente, quite la tapa y tome los accesorios.

CÓMO GUARDAR LOS ACCESORIOS EN EL ESTUCHE

- Todos los accesorios tienen un lugar específico en el estuche y cuentan con un código de colores.
- Los accesorios pueden retirarse individualmente sin necesidad de retirarlos todos.





Montaje

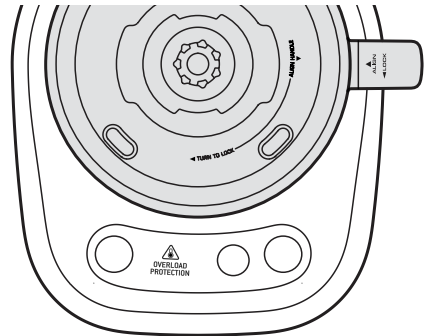
ANTES DEL PRIMER USO

- Antes de utilizar el procesador de alimentos por primera vez, retire cualquier material de empaque o etiquetas promocionales. Asegúrese de que el botón POWER (Encendido | Apagado) esté apagado y que el procesador de alimentos esté desenchufado.
- Tenga cuidado al manipular las cuchillas y los discos, ya que son extremadamente afilados.
- Lave el recipiente de procesamiento, la tapa de procesamiento y todos los accesorios en agua jabonosa tibia con un paño suave. Enjuáguelos y séquelos completamente. Todos los accesorios, excepto el eje de engranaje para corte en cubos, el empujador de alimentos y la tapa del empujador de alimentos, son aptos para lavavajillas.
- Cuando utilice su procesador de alimentos por primera vez, es posible que note un olor proveniente del motor. Esto es normal y se disipará con el uso.
- Siempre utilice el procesador de alimentos en una superficie de trabajo seca y nivelada.

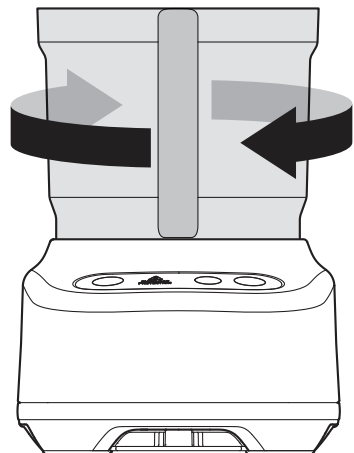
MONTAJE

Base del motor y bol

1. Ponga el recipiente de procesamiento en la base del motor y alinee el asa con el gráfico ALIGN HANDLE (Alinear asa) en la base del motor.



2. Gire el recipiente en el sentido de las agujas del reloj hasta que el asa se asegure hacia el frente. El recipiente de procesamiento ahora debería estar bien asegurado en su posición. El procesador de alimentos no funcionará a menos que el recipiente esté asegurado correctamente en su posición.



Ejes y discos

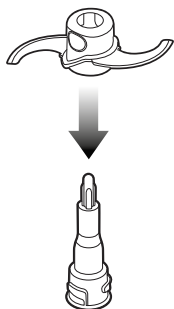


ADVERTENCIA

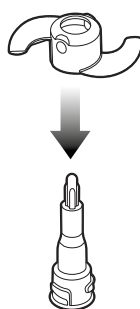
No toque las hojas de la rejilla y la cuchilla para cortar en cubitos, pues son muy filosas.



Cuchilla S-Blade™
sobre el eje



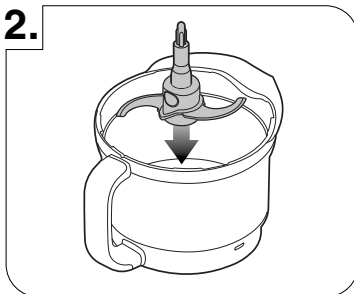
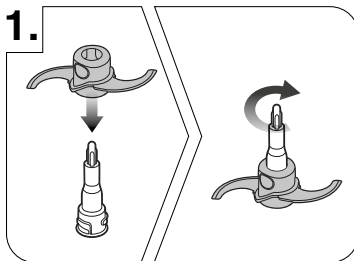
Lame de pétrissage
sur la tige



1. Primero, ensamble el accesorio que haya elegido (cuchilla S-Blade™ o cuchilla para masa) en el eje y póngalos en su posición sobre el acoplamiento en el centro del bol de procesamiento; luego, coloque la tapa en el bol de procesamiento.
2. Si usa el kit para cortar en cubitos, deberá usar también el eje de engranaje para corte en cubos. Para cortar verduras o frutas en cubitos, primero inserte el eje de engranaje en el bol y luego la rejilla para cortar en cubitos. Asegúrese de alinear los accesorios con las 4 ranuras en el bol y luego inserte la cuchilla para cortar en cubitos sobre la rejilla. Asegúrese de que la parte plana de la cuchilla esté alineada con el texto INSERT BLADE (Insertar cuchilla) en la rejilla.

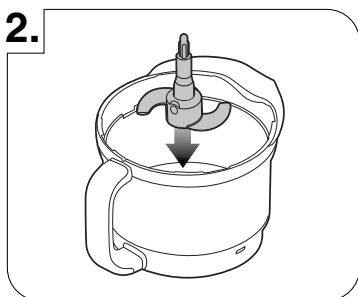
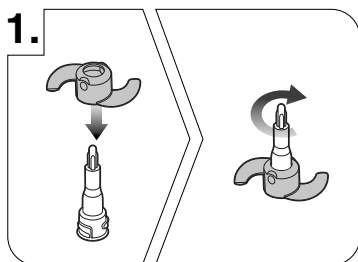
Eje y cuchilla S-Blade™

1. Con cuidado, inserte la cuchilla S-Blade en el eje y gire en sentido horario hasta que quede asegurada.
2. Una vez ensamblados, coloque el eje y la cuchilla S-Blade™ sobre el acoplamiento en el centro del bol con precaución. Evite tocar las cuchillas.



Eje y cuchilla para masa

1. Inserte la cuchilla para masa en el eje y gire en sentido horario hasta que quede asegurada.
2. Una vez ensamblados, coloque el eje y la cuchilla para masa sobre el acoplamiento en el centro del bol.

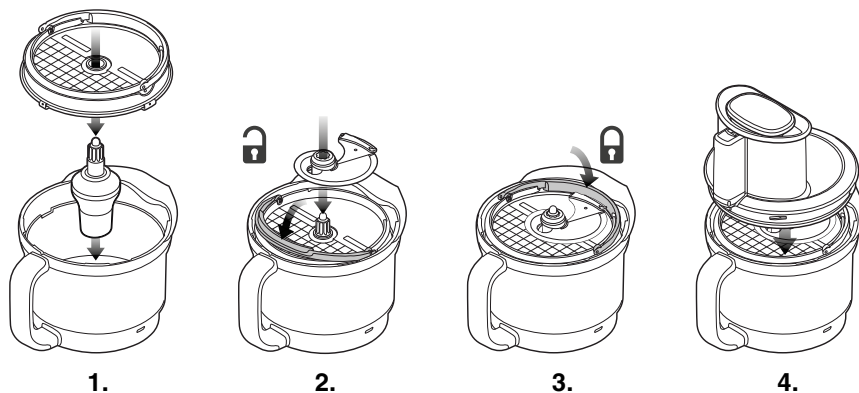


Tapa

Coloque la tapa en el bol de procesamiento. Para asegurar la tapa, sostenga el tubo para alimentos y gírelo en sentido horario para que las partes del asa se alineen. Asegurar la tapa correctamente activará el seguro de enclavamiento.



Ensamblaje de cuchillas de corte





Funciones

FUNCIONAMIENTO

Primeros pasos

El procesador de alimentos solo funcionará cuando el recipiente de procesamiento, la tapa y el empujador grande estén correctamente ensamblados. Esto activa el enclavamiento de seguridad, lo que permite que el motor funcione.

El tubo tiene un rótulo en inglés, CHUTE FILL MAX, que indica el volumen máximo de alimentos que se puede colocar en el tubo para permitir que el empujador active el cierre de seguridad.

Panel de control

Cuando enchufe el equipo al tomacorriente y presione el botón POWER (Encendido | Apagado), los botones se iluminarán y el procesador estará listo para usarse.

Si presiona el botón POWER en este momento, el aparato se apagará.

Al pulsar el botón PLAY | STOP (Inicio | Pausa), el motor funcionará de manera continua.

Si pulsa PLAY | STOP de nuevo mientras el procesador está en funcionamiento, el motor se detendrá.

Pulse PLAY | STOP para seguir procesando o POWER para poner el aparato en espera.

Si se retira el empujador grande mientras se está procesando, el motor se detendrá. Puede agregar ingredientes por el tubo de la tapa, y cuando vuelva a insertar el empujador grande, el aparato empezará a procesar nuevamente.

En el caso del botón PULSE (Pulsación manual), el motor funcionará solo mientras se mantenga pulsado el botón.

Puede combinar el uso de los botones PULSE (Pulsación manual) y PLAY | STOP para controlar mejor el procesamiento de los alimentos.

Después de procesar

Espere hasta que las cuchillas o discos hayan dejado de moverse antes de liberar la tapa. Asegúrese de haber apagado el equipo con el botón POWER y desenchúfelo del tomacorriente antes de manipular las cuchillas.

Al retirar las cuchillas o discos, levántelos con cuidado tomándolos por la parte de plástico en el centro.

Sistema de protección contra sobrecarga

El procesador de alimentos tiene un sistema de protección contra sobrecarga para evitar daños al motor. Al activarse, el procesador entra en el modo de espera.


Desenchufe el equipo y deje que se enfríe durante 30 minutos.


Si las cuchillas o los discos se atascan durante el procesamiento, detenga inmediatamente la máquina y luego desenchúfela del tomacorriente y limpie los alimentos atascados. Si esto sucede más de una vez, puede que el recipiente esté sobrecargado. Intente procesar en lotes más pequeños.



Consejos

Los consejos a continuación son solo sugerencias. Para obtener instrucciones más detalladas, consulte las recetas específicas que se ofrecen en línea en **Breville.com**.

ACCESORIO	FUNCIÓN	TIPOS DE INGREDIENTES/ PLATILLOS	CONSEJOS
Cuchilla S-Blade™	Picar	<ul style="list-style-type: none"> • Frutas y verduras crudas • Carnes y pescados cocidos o crudos • Hierbas frescas • Pan molido • Frutos secos • Fruta deshidratada 	<ul style="list-style-type: none"> • Si es necesario, corte los alimentos en cubos de aproximadamente 2.5 cm antes de procesarlos.
			 ADVERTENCIA El motor no debe funcionar durante más de 1 minuto a la vez.
	Carne picada/ molida	<ul style="list-style-type: none"> • Proteínas crudas y cocidas 	<ul style="list-style-type: none"> • Corte los alimentos en cubos de aproximadamente 2.5 cm antes de procesarlos. • Para obtener mejores resultados, congele la carne durante 30 minutos. • Retire el exceso de grasa y tendones.
	Moler/Licuar	<ul style="list-style-type: none"> • Frutas y verduras cocidas 	<ul style="list-style-type: none"> • Deje que la comida se enfríe antes de licuar o hacer puré.
Cuchilla para masa	Mezclar	<ul style="list-style-type: none"> • Salsas • Rebozados • Pesto • Mantequillas saborizadas 	<ul style="list-style-type: none"> • Para las masas ligeras, utilice el botón PULSE (Pulsación manual) hasta que se mezclen uniformemente. No procese de más.
	Amasar	<ul style="list-style-type: none"> • Masas de pan o pizza 	<ul style="list-style-type: none"> • Añada los líquidos por el tubo para alimentos pequeño mientras el motor esté funcionando para incorporarlos. • Receta recomendada <ul style="list-style-type: none"> - 375 g de harina - 235 g de agua - 10 g de azúcar - 8 g de levadura - 7 g de sal • Cantidad máxima de harina = 525 g
Disco rebanador ajustable	Rebanar	<ul style="list-style-type: none"> • Verduras y alimentos crudos • Embutidos 	<ul style="list-style-type: none"> • Para evitar que se inclinen, coloque los ingredientes de forma vertical en el lado izquierdo del tubo para alimentos del tamaño adecuado. • Para las carnes frías como el salami o el pepperoni, retire un extremo y procese uno a la vez.

ACCESORIO	FUNCIÓN	TIPOS DE INGREDIENTES/ PLATILLOS	CONSEJOS
Disco rallador reversible	Rallado fino y grueso	<ul style="list-style-type: none"> • Quesos • Frutas y verduras como manzanas, papas y col 	<ul style="list-style-type: none"> • Para obtener mejores resultados, congele los quesos suaves durante 45 minutos antes de rallarlos. <div style="display: flex; align-items: center;">  <p>NOTA</p> </div> <p>No se recomienda rallar quesos muy blandos como mozzarella fresca.</p> <ul style="list-style-type: none"> • Retire la corteza de los quesos duros antes de rallarlos.
Kit de corte	Cortar en cubos	<ul style="list-style-type: none"> • Frutas y verduras crudas y cocidas 	<ul style="list-style-type: none"> • Use tubos pequeños para ingredientes más duros, como zanahoria o calabaza. Para obtener mejores resultados, también puede sancochar. • Los tomates y aguacates más firmes darán mejor resultado al cortarlos en cubos.



NOTAS IMPORTANTES

Para obtener resultados óptimos, use el tubo para alimentos del tamaño correcto, ponga los alimentos en el tubo y use el empujador para empujar ligeramente la comida antes de iniciar el procesamiento.

Presión

Al usar el procesador, nunca fuerce la comida por el tubo de alimentos, ya que esto puede dañar los discos. Aplique una presión ligera y constante para alimentos blandos como tomates y plátanos. Aplique presión media e uniforme para alimentos más firmes como papas, queso, embutidos y manzanas.



NOTA

Si los alimentos se atascan dentro del tubo, retire el empujador y la tapa del bol. Una vez que el tubo esté lejos del bol y las cuchillas, retire los trozos de comida con la mano.

Ingredientes más pequeños

Para alimentos largos y delgados como zanahorias, pepinos, calabacitas italianas, etc., use la tubo para alimentos pequeño. Esto evitará que los alimentos se caigan mientras se rebanan.

Ingredientes más grandes

El tubo para alimentos ancho mide 12 cm (4.7 in) y puede usarse con ingredientes de ese tamaño como máximo. Los alimentos deben encajar cómodamente para que queden en posición vertical en el tubo. Procure que no queden tan apretados dentro del tubo como para evitar que puedan bajar por él. Tenga cuidado de no llenar el tubo de más, ya que el empujador no activará el seguro de bloqueo si el tubo está demasiado lleno. No sobrepase la marca MAX.



Cuidado y limpieza

Por motivos de seguridad, desconecte el cable de alimentación del tomacorriente después de usar el aparato.

Bol y tapa de procesamiento

Debido a los componentes del bloqueo de seguridad, no recomendamos sumergir el bol y la tapa en agua mucho tiempo.

Para mantener limpios el bol y la tapa, y evitar que queden restos secos de alimentos, siga estos pasos lo antes posible después de su uso:

- Enjuague el recipiente y la tapa para retirar la mayoría de los restos.
- Lávelos a mano con agua jabonosa tibia y limpia usando un detergente líquido suave y una esponja no abrasiva.
- El recipiente y la tapa de procesamiento se pueden lavar ocasionalmente en el lavavajillas (solo en la rejilla superior); sin embargo, no se recomienda hacerlo regularmente, ya que la exposición prolongada a detergentes fuertes, agua caliente y presión, dañará y acortará la vida útil del plástico y de los componentes del enclavamiento de seguridad.



ADVERTENCIA

Los aceites de la cáscara de los cítricos pueden dañar el material del recipiente de procesamiento si se expone a ellos durante un período más prolongado. Siempre limpie el recipiente de procesamiento inmediatamente después de procesar cáscara de cítricos.



ADVERTENCIA

No toque las hojas de la rejilla para cortar en cubitos. Son extremadamente afiladas.

Eje de engranaje y estuche

La el eje de engranaje para corte en cubos y el estuche solo se deben lavar a mano.

Cuchillas y discos

- Las cuchillas y los discos son muy afilados, no los toque. Utilice siempre una espátula o un cepillo para retirar los alimentos o para limpiar las cuchillas.
- El eje, las cuchillas y los discos pueden lavarse en lavavajillas.

Cómo retirar la cuchilla para cortar en cubitos

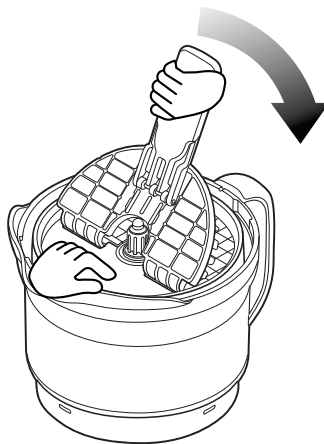
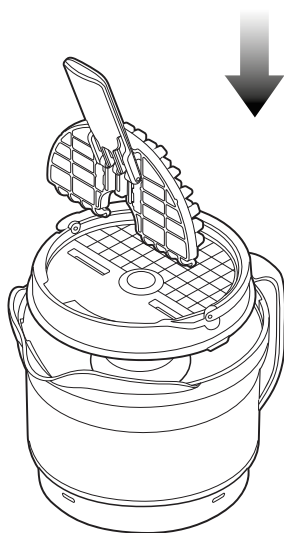
1. Retire la tapa del bol y, con los dedos pulgar e índice, tome el centro de la cuchilla para cortar en cubitos.
2. Al mismo tiempo, levántela y gírela para quitarla del eje de engranaje para corte en cubos.



NOTA

Si no puede retirar la cuchilla, vuelva a colocar la tapa en el bol, ponga el empujador grande en el tubo para alimentos y presione el botón PULSE (Pulsación manual) hasta que la punta de la cuchilla se detenga en el área con el rótulo INSERT BLADE (Insertar cuchilla).

Luego, repita los pasos anteriores.



Cómo limpiar la rejilla para cortar en cubitos



NOTAS

- Asegúrese de haber retirado la cuchilla para cortar en cubitos.
 - La rejilla debe permanecer colocada en el bol al usar el limpiador.
 - El eje de engranaje para corte en cubos puede quedarse dentro del bol y la rejilla.
1. Retire el limpiador del estuche y tómelo por el asa.
 2. Alinee las ranuras del limpiador con la rejilla para asegurar que está usando el lado correcto del limpiador.
 3. Con una mano, tome el asa del limpiador. Con la otra, sostenga el lado libre de la rejilla.
 4. Empuje el asa del limpiador hacia abajo y hacia el borde del bol mientras mantiene la presión en la rejilla con la otra mano. El limpiador empujará los alimentos restantes en la rejilla y caerán en el bol.
 5. Siga empujando con el asa hasta que ya no sienta la presión de los alimentos y no pueda empujar más.
 6. Levante el asa y retire el limpiador. Repita el proceso si todavía quedan trozos grandes de alimentos.



NOTA

Los trocitos de comida más pequeños pueden retirarse con un cepillo de limpieza o con el flujo de agua en el fregadero.

Base del motor

Limpie la base del motor con un paño suave y húmedo y luego séquela completamente. Limpie cualquier resto de comida del cable de alimentación.

Limpiadores

No use limpiadores ni esponjas abrasivos en la base del motor o el bol, ya que pueden rayar su superficie. Use solo agua jabonosa tibia con un paño suave.

Los alimentos que tienen colores u olores difíciles de eliminar, como el ajo, el pescado y las zanahorias, pueden dejar olores o manchar el recipiente o la tapa. Para eliminarlos, vierta agua jabonosa tibia (no rebase la capacidad máxima). Deje remojar durante 5 minutos sin sumergir todo el recipiente. Luego lave con un detergente suave y agua tibia, enjuague y seque bien. Guarde el recipiente con la tapa abierta.



Resolución de problemas

PROBLEMA	SOLUCIÓN SENCILLA
La comida se procesa de manera desigual	<ul style="list-style-type: none">• Los ingredientes deben cortarse de manera uniforme en trozos de 2.5 cm antes de procesarse.• Los ingredientes deben procesarse en partes para evitar sobrecargar el equipo.
Las rebanadas son oblicuas o desiguales	<ul style="list-style-type: none">• Ponga los alimentos cortados de manera uniforme en el tubo para alimentos.• Aplique presión uniforme sobre el empujador.
La comida se inclina en el tubo para alimentos	<ul style="list-style-type: none">• El tubo para alimentos viene en dos tamaños para procesar distintos alimentos. Para obtener mejores resultados, compacte los alimentos en el tubo.
Queda algo de comida en la parte superior del disco después del procesamiento	<ul style="list-style-type: none">• Es normal que queden piezas pequeñas después del procesamiento.
El motor trabaja más lento al amasar	<ul style="list-style-type: none">• La cantidad de masa no debe superar la cantidad máxima recomendada en la receta. Retire la mitad de la masa y procese en dos partes.• La masa puede estar demasiado seca. Si el motor se acelera, continúe procesando. Si no, agregue más agua de 1 cucharada a la vez hasta que lo haga. Procese hasta que la masa se desprege de los lados del recipiente de procesamiento.
La masa no se despega del interior del recipiente de procesamiento	<ul style="list-style-type: none">• La cantidad de masa puede exceder la capacidad máxima del procesador de alimentos. Retire la mitad de la masa y procese en dos tandas.• La masa puede estar demasiado seca.
Se forman protuberancias de masa en la parte superior de la cuchilla para masa, y la masa no queda uniforme	<ul style="list-style-type: none">• Detenga la máquina, con cuidado retire la masa, divídala en 3 partes y redistribuya de manera uniforme en el recipiente de procesamiento.
La masa se siente dura después de amasar	<ul style="list-style-type: none">• Divida la masa en 2 o 3 partes y redistribúyalas uniformemente en el recipiente de procesamiento. Procese 10 segundos o hasta que esté completamente suave y flexible. Dejar que la masa repose permite que las hebras de gluten se relajen y se vuelvan más flexibles.
La masa está muy seca	<ul style="list-style-type: none">• Mientras la máquina esté funcionando, agregue agua a través del tubo para alimentos pequeño, de 1 cucharada a la vez, hasta que la masa se desprege del interior del recipiente de procesamiento.
La masa está muy húmeda	<ul style="list-style-type: none">• Mientras la máquina esté funcionando, agregue harina a través del tubo para alimentos pequeño, de 1 cucharada a la vez, hasta que la masa se desprege del interior del recipiente de procesamiento.
El motor no arranca	<ul style="list-style-type: none">• Hay un enclavamiento de seguridad para evitar que el motor arranque si no está ensamblado correctamente. Cerciórese de que la tapa del bol procesamiento y el empujador estén bien asegurados en su posición.• La comida en el tubo para alimentos no debería rebasar la línea de capacidad máxima.• Si el motor aún no arranca, verifique el cable de alimentación y el tomacorriente.
El procesador de alimentos se apaga durante el funcionamiento	<ul style="list-style-type: none">• La tapa puede haberse soltado; verifique que esté fija en su posición.• Si el motor se sobrecarga, el icono OVERLOAD PROTECTION (Protección contra sobrecarga) comenzará a parpadear en la pantalla. Apáguelo presionando el botón POWER (Encendido Apagado) y desconectando el cable de alimentación. Deje que el procesador de alimentos se enfríe durante 30 minutos antes de continuar.

PROBLEMA**SOLUCIÓN SENCILLA**

El motor se desaceleró durante el funcionamiento

- Esto es normal, ya que algunas cargas de trabajo más pesadas (como rebanado o rallado de queso, por ejemplo) pueden exigir más al motor. Corte los ingredientes en piezas más pequeñas y reacomódelos en el tubo para alimentos. Continúe procesando con un empujador más pequeño.
- Es posible que haya excedido la capacidad de carga máxima. Retire algunos de los ingredientes y continúe procesando.

El procesador de alimentos vibra o se mueve durante el procesamiento

- Asegúrese de que las patas de goma en la parte inferior del equipo estén limpias y secas. También asegúrese de no exceder la capacidad de carga máxima.
- Esto es normal ya que algunas cargas de trabajo más pesadas pueden exigir más al motor.
- Apague el equipo y retire los ingredientes que puedan estar atorados en el disco antes de continuar.
- Si esto ocurre mientras mezcla masa, apague el equipo y redistribuya la masa más uniformemente por el recipiente antes de continuar.
- Procese alimentos duros y fibrosos, como zanahorias, por el tubo pequeño.

La cuchilla para cortar en cubitos se atascó en el eje

- Coloque la tapa en el bol e inserte el empujador grande.
- Presione el botón PULSE (Pulsación manual) una vez y revise si la cuchilla está alineada con el área que tiene el rótulo INSERT BLADE (Insertar cuchilla). Si no es así, repita el paso hasta que esté alineada. Si no ve, retire la tapa para confirmar.
- Una vez que la cuchilla esté en la posición correcta, retire la tapa y tome con cuidado el centro de la cuchilla con los dedos pulgar e índice. Luego, levante la cuchilla y retírela.

BILT. × Breville®

Scan for 3D interactive set up
Configuration interactive 3D
Configuración interactiva en 3D



MONTAJE DEL ESTUCHE

Solo monte el estuche cuando haya retirado todos los accesorios.

Consulte estas instrucciones para:

Montar el estuche después de una caída.

PARA MONTAR EL ESTUCHEE

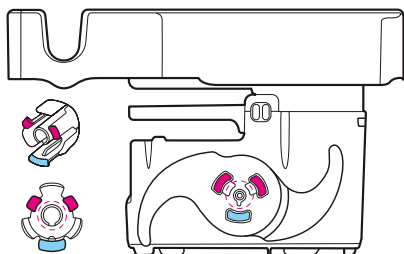
Clips de las cuchillas

1. Identifique el lado correcto del estuche (cuchilla para masa o cuchilla para cortar) y el clip correcto de la cuchilla.
2. Inserte el casquillo del clip de la cuchilla en la clavija en la base del estuche y mantenga las patas del clip de la cuchilla bien alineadas.
3. Empuje el clip de la cuchilla hasta que las patas del clip entren en los orificios de la base del estuche. Cerciórese de que las tres patas estén bien puestas en la base.

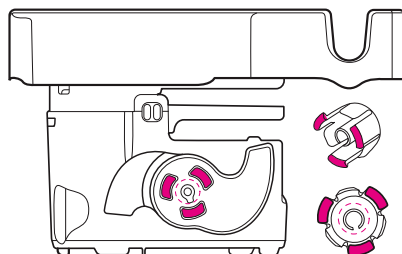


ADVERTENCIA

No toque las hojas de la rejilla de corte y la cuchilla para cortar en cubitos. Son muy filosas.



Clip de la cuchilla S-Blade™
Vista lateral derecha

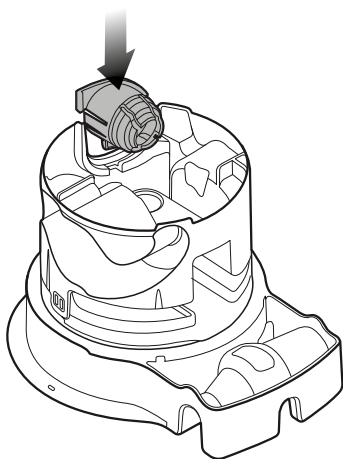


Clip de la cuchilla para masa
Vista lateral izquierda

PARA MONTAR EL ESTUCHE

Funda del eje

1. Retire todos los accesorios y voltee el estuche (¡**CAUIDADO!** Las cuchillas son filosas).
2. Deslice la funda hacia abajo siguiendo el diseño acanalado. Presione un poco más hasta que el clip quede asegurado en su posición.



Compartimento de corte en cubos

1. Alinee el diseño acanalado del compartimento de corte en cubos con las ranuras para el compartimento de ralladores.
2. Coloque el compartimento de corte en cubos encima del compartimento de ralladores y asegure que el diseño acanalado encaje con las ranuras.
3. Deslice el compartimento de corte en cubos hacia adelante y atrás para asegurar que el gancho se asegure bajo el asa del compartimento de ralladores.



NOTA

- Solo lave y enjuague a mano.

PARA DESMONTAR LA ESTUCHE

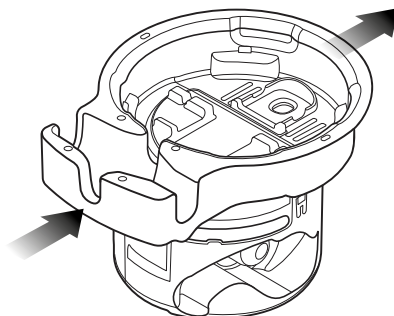
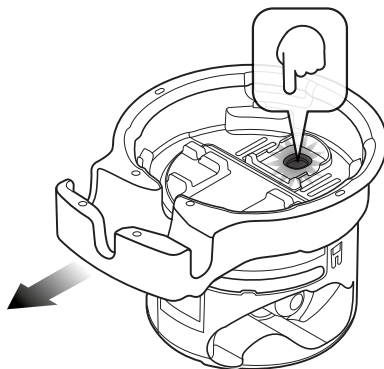
Compartimento de corte en cubos

1. Retire todos los accesorios del estuche (¡**CAUIDADO!** Las cuchillas son afiladas).
2. Presione el botón de liberación y deslice el compartimento de corte en cubos hacia atrás.
3. Empuje el asa del compartimento de corte en cubos hacia abajo y continúe deslizando el compartimento para retirarlo.



NOTA

- Solo lave y enjuague a mano.



Breville Service Center

USA	Mail:	Breville USA 19400 S. Western Ave, Torrance CA 90501-1119
	Phone:	1-866-273-8455 1-866-BREVILLE
	Web:	breville.com/us/support
Canada	Mail:	Breville Canada 300 Town Centre Blvd, Suite 201, Markham, Ontario, L3R 5Z6, Canada
	Phone:	1-855-683-3535
	Web:	breville.ca/support

Atención al Consumidor Breville

Mexico	Dir.:	Breville México, S.A. de C.V. Montes Urales 360 Piso 2 Col. Lomas de Chapultepec III Sección Miguel Hidalgo Ciudad de México C.P. 11000 México
	Tel.:	1-800-953-1668
	Sitio web:	breville.mx/support

Breville®

Master Every Moment®

Breville is a registered trademark of Breville Pty. Ltd. A.B.N. 98 000 092 928.
Copyright Breville Pty. Ltd. 2023.

- Due to continued product improvement, the products illustrated/photographed in this brochure may vary slightly from the actual product.
- En raison de son amélioration continue, le produit représenté sur cet emballage peut différer légèrement du produit réel.
- Perfeccionamos nuestros productos continuamente, por lo que el artículo podría diferir ligeramente de la ilustración o imagen en este documento.

BFP638 Series • Séries • Serie

USCM WEBONLY – B23