

# T-fal<sup>®</sup>

EN

FR

ES



## Easy Fry Oven & Grill

[www.t-fal.com](http://www.t-fal.com)

[www.t-fal.ca](http://www.t-fal.ca)

[www.t-falusa.com](http://www.t-falusa.com)

[www.t-fal.com.mx](http://www.t-fal.com.mx)

## IMPORTANT SAFEGUARDS

When using electrical appliances, basic safety precautions should always be followed, including the following:

1. Read all instructions before using.
2. Do not touch hot surfaces. Use handles or knobs.
3. To protect against electric shock, do not immerse cord, plugs or fryer in water or other liquid.
4. Close supervision is necessary when any appliance is used by or near children.
5. Unplug from outlet when not in use and before cleaning. Allow to cool before putting on or taking off parts.
6. Do not operate any appliance with a damaged cord or plug or after the appliance malfunctions, or has been damaged in any manner. Return appliance to the nearest authorized service facility for examination, repair or adjustment.
7. The use of accessory attachments not recommended by the appliance manufacturer may cause injuries.
8. Do not use outdoors.
9. Do not let cord hang over edge of table or counter, or touch hot surfaces.
10. Do not place on or near a hot gas or electric burner, or in a heated oven.
11. Extreme caution must be used when moving appliance containing hot oil or other hot liquids.
12. Always attach plug to appliance first (depending on model), then plug cord into the wall outlet. To disconnect, turn any control to "off", then remove plug from wall outlet.
13. Do not use appliance for other than intended use.

## 14. SAVE THESE INSTRUCTIONS FOR HOUSEHOLD USE ONLY.

15. Only connect the appliance to electrical sockets which have a minimum load of 15A. If the sockets and the plug on the appliance should prove incompatible, get a professionally qualified technician to replace the socket with a more suitable one.
16. Keep the product at least 20cm away from the wall for safe and better ventilation.

### POLARIZATION INSTRUCTIONS


This appliance has a polarized plug (one blade is wider than the other). To reduce the risk of electric shock this plug is intended to fit into a polarized outlet only one way. If the plug does not fit fully into the outlet, reverse the plug. If it still does not fit, contact a qualified electrician. Do not attempt to modify the plug in any way.

### SHORT CORD INSTRUCTIONS

Do not use with an extension cord.

A short power-supply cord is to be provided to reduce the risk resulting from becoming entangled in or tripping over a longer cord.

## SAFETY INSTRUCTION

- This appliance is intended to be used in household only. It is not intended to be used in the following applications, and the guarantee will not apply for:
  - staff kitchen areas in shops, offices and other working environments;
  - farm houses;
  - by clients in hotels, motels and other residential type environments;
  - bed and breakfast type environments.
- This appliance is not intended to be operated by means of an external timer or a separate remotecontrol system.
- If the power supply cord is damaged, it must be replaced by the manufacturer, its service agent or similarly qualified persons in order to avoid a hazard.
- This appliance is not intended for use by persons (including children) with reduced physical, sensory or mental capabilities, or lack of experience and knowledge, unless they have been given supervision or instruction concerning use of the appliance by a person responsible for their safety.
- Children should be supervised to ensure that they do not play with the appliance.
-  The temperature of accessible surfaces may be high when the appliance is operating. Do not touch the hot surfaces of the appliance.
- Clean removable parts with a non abrasive sponge and dishwashing liquid. Do not clean them in a dishwasher.
- Clean the inside and the outside of the appliance with a damp sponge or cloth. Please refer to the «Cleaning» section of the instructions for use.
- The appliance can be used up to an altitude of 4000 m.

## Do

- Read and follow the instructions for use. Keep them safe.
- Remove all packaging materials and any promotional labels or stickers from your appliance before use. Be sure to also remove any materials from underneath the removable bowl (depending on model).
- Check that the voltage of your mains network corresponds to the voltage given on the rating plate on the appliance (alternative current).
- Given the diverse standards in effect, if the appliance is used in a country other than that in which it is purchased, have it checked by an approved Service Centre.
- Use the appliance on a flat, stable, heat-resistant work surface away from water splashes.
- Always unplug your appliance: after use, to move it, or to clean it.
- In the event of fire, unplug the appliance and smother the flames using a damp tea towel.

- To avoid damaging your appliance, please ensure that you follow recipes in the instructions and at [www.t-fal.com](http://www.t-fal.com); make sure that you use the right amount of ingredients.

## Do not

- Do not use the appliance if it or the power cord is damaged or if it has fallen and has visible damage or appears to be working abnormally. If this occurs, the appliance must be sent to an Approved Service Centre.
- Do not use an extension lead. If you nevertheless decide to do so, under your own responsibility, use an extension lead that is in good condition and compliant with the power of the appliance.
- Do not let the power cord dangle.
- Do not unplug the appliance by pulling on the power cord.
- Never move the appliance when it still contains hot food.
- Never operate your appliance when empty.
- Do not switch on the appliance near to flammable materials (blinds, curtains...) or close to an external heat source (gas stove, hot plate etc.).
- Do not store any inflammable products close to or underneath the furniture unit where the appliance is located.
- Never take the appliance apart yourself
- Do not immerse the product in water.
- Do not use any powerful cleaning products (notably soda based strippers), nor brillo pads, nor scourers.
- Do not store your appliance outside. Store it in a dry and well ventilated area.

## Advice/information

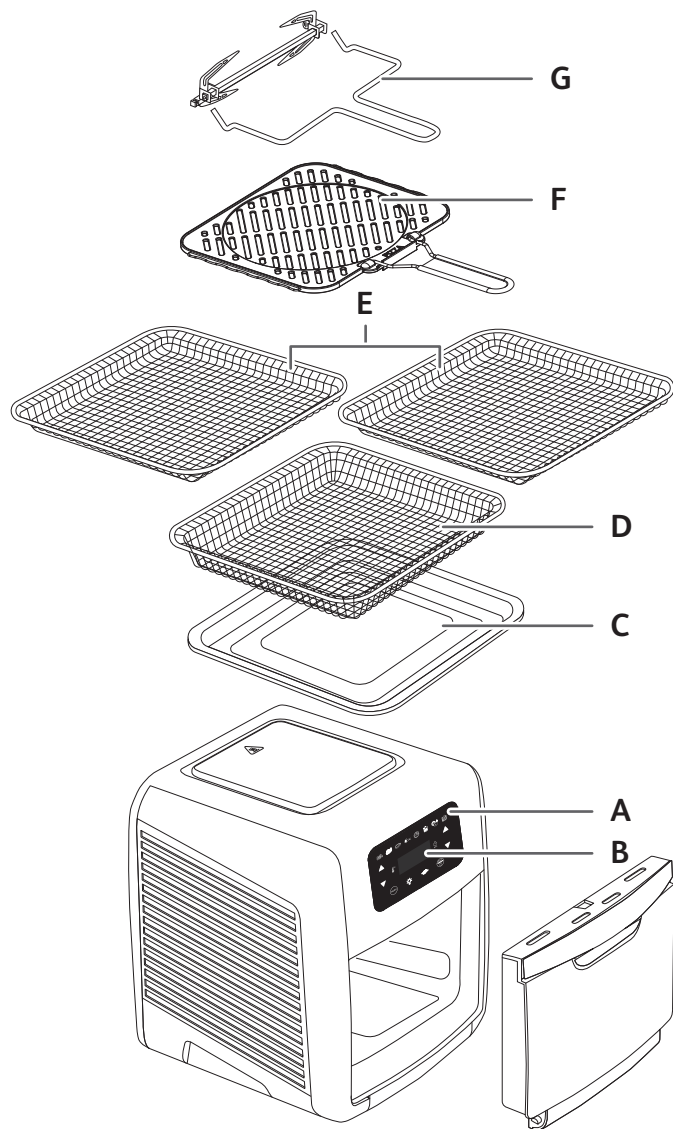
- When using the product for the first time, it may release a non-toxic odour. This will not affect use and will disappear rapidly.
- For your safety, this appliance conforms with applicable standards and regulations (Directives on Low Voltage, Electromagnetic Compatibility, Materials in contact with food, Environment, etc.).
- This appliance is designed for domestic use only and not outdoor. In case of professional use, inappropriate use or failure to comply with the instructions, the manufacturer accepts no responsibility and the guarantee does not apply.
- For your safety, only use the accessories and spare parts designed for your appliance

## Environnement



### Environment protection first!

- ① Your appliance contains valuable materials which can be recovered or recycled.
- ➔ Leave it at a local civic waste collection point.



## DESCRIPTION

- |                              |                                      |
|------------------------------|--------------------------------------|
| A. Digital touchscreen panel | E. 2 racks                           |
| B. Time/temperature display  | F. Grill plate with removable handle |
| C. Drip tray                 | G. Rotisserie chicken accessory      |
| D. Fries basket              |                                      |

## AUTOMATIC COOKING MODES

- |            |                |
|------------|----------------|
| 1. Fries   | 5. Pizza       |
| 2. Chicken | 6. Cake        |
| 3. Meat    | 7. Dehydration |
| 4. Fish    | 8. Grill       |

## BEFORE FIRST USE

1. Remove all packaging material.
2. Remove any stickers or labels from the appliance.
3. Thoroughly clean the basket, racks, tray and grill plate with hot water, some washing-up liquid and a non-abrasive sponge.

**Warning: the cooking accessories and the appliance's door are dishwasher safe.**

4. Wipe the inside and outside of the appliance with a damp cloth. The appliance works by producing hot air. Do not fill the accessories with oil or frying fat.

## PREPARING FOR USE

1. Place the appliance on a flat, stable, heat-resistant work surface away from water splashes.
2. **Do not put anything on top of the appliance. This disrupts the airflow and affects the hot air frying result.**

## USING THE APPLIANCE

Easy Fry Oven & Grill can cook a large range of recipes. Cooking times for the main foods are given in the section 'Cooking Guide'. Online recipes at [www.t-fal.com](http://www.t-fal.com) help you get to know the appliance.

1. Connect the power supply cord to an electrical socket.
2. Start the preheating phase if you wish. To do this, press the Start button (🔼) that begins flashing as soon as the appliance is plugged in. The temperature displayed on the first use is 180°C.
  - Adjust to the desired temperature with the (▲) and (▼) buttons on the digital screen.
  - Press the Start button again to start preheating.
  - The appliance will beep when the temperature has been reached.
  - The preheating phase is now completed.
3. Place the food in the basket or rack.

**Note: Never fill the basket or rack beyond the MAX level mark or exceed the maximum amount indicated in the table (see into section 'Cooking Guide'), as this could affect the quality of the end result.**

- Put the basket or rack back into the appliance.

**Caution: Do not touch the product and the accessories during use and for some time after use, as they get very hot. Only hold them with a kitchen pot holder or by the handle.**

- To begin cooking, you can select between the automatic cooking mode and the manual settings.

**a. If choosing manual settings:**

- Adjust the temperature (Ⓕ) with the (▲) and (▼) buttons on the digital screen. The thermostat varies from 65-200°C (150-400°F)
- Then set the desired cooking time by pressing the (⌚) button and adjusting the time with the (▲) and (▼) buttons. The timer can be set for between 0 and 60 minutes.
- Press the Start button (▶) to begin cooking with the selected temperature and time settings. Cooking starts. The selected temperature and remaining cooking time will alternate on the screen display.

**b. If choosing automatic cooking mode:**

- Press (MENU) button to display the cooking mode.
- Then press (MENU) button on the screen to select the desired cooking mode (these modes are described in detail in the "Cooking guide" section).
- Confirm the cooking mode by pressing the Start button (▶). This will launch the cooking process.
- Cooking starts. The selected temperature and remaining cooking time will alternate on the on-screen display.
- Excess oil from the food is collected in the drip tray.
- Some foods require shaking halfway through the cooking time (see section 'Cooking Guide'). To shake the food, pull the basket or rack out with a kitchen pot holder and return the food with a cooking tong. Then put the basket or rack back into the appliance and press the Start button (▶) again to restart cooking.
- When you hear the timer sound, the cooking time set has finished. Pull the basket or rack out of the appliance and place it on a heat-resistant surface.
- Check if the food is ready.**  
If the food is not ready yet, simply put the basket or rack back into the appliance and set the timer for a few extra minutes.
- When the food is cooked, take out the basket or rack. To remove food, use a pair of tongs.
- When a batch of food is ready, the appliance is instantly ready for preparing another batch of food.

## USING THE GRILL PLATE

- Before use of the grill plate, fix the handle. Press the handle to fix it in the holes. Release the handle and lower it.
- Place the grill plate in the upper level of the appliance and remove the handle by pressing it.
- Press (GRILL), then press (MENU) on the screen to select the Grill mode (🔥)
- Confirm the Grill mode by pressing Start button. This will launch the preheating phase. This phase lasts 13 minutes.
- When you hear the timer sound, the preheating phase has finished.
- Open the appliance, fix the handle on the grill plate. Take it out the appliance and place it on a heat-resistant surface.
- Place the food on the grill plate.
- Put back the grill plate on the upper level of the appliance. Remove the handle before closing the appliance.

- Select the timing by pressing (▲) and (▼) buttons. Press Start button to begin cooking. The selected temperature and remaining cooking time will alternate on the on-screen display.
- When you hear the timer sound, the cooking has finished. Open the appliance, fix the handle on the grill plate. Take it out the appliance and place it on a heat-resistant surface.
- Check if the food is ready. If the food is not ready yet, put it back on the appliance and set the timer for a few extra minutes.
- When the food is cooked, take out the grill plate by using the handle. To remove food, use a pair of tongs.

**Caution: after cooking, the grill plate and the food are very hot.**

## COOKING GUIDE

The table below helps you to select the basic settings for the food you want to prepare.

**Note: The cooking times below are only a guide and may vary according to the variety and batch of foods used. For other foods the size, shape and brand may affect results. Therefore, you may need to adjust the cooking time slightly.**

For °F mode, please select simultaneously on 🔦 + ⚙️

	Max Amount (g /lbs)	Approx Time (min)	Temperature (°C /°F)	Cooking mode	Shake*	Extra information
<b>Potatoes &amp; fries</b>						
Frozen chips (10 mm x 10 mm standard thickness)	700-750g / 1.5 lbs	25-30 min	200°C / 400°F	🔥	Yes	
Homemade French Fries (8 x 8 mm)	700-750g / 1.5 lbs	40 min	200°C / 400°F	🔥	Yes	Add 1 tbsp of oil **
Frozen potato wedges	700-750g / 1.5 lbs	25-30 min	200°C / 400°F	🔥	Yes	Add 1 tbsp of oil **
<b>Meat &amp; Poultry</b>						
Steak	500g / 1.10 lbs	7-14 min	180°C / 350°F	🔥		
Chicken wings	800g / 1.5 lbs	40 min	200°C / 400°F	🔥		
Chicken breast fillets (boneless)	500g / 1.10 lbs	6-9 min	200°C / 400°F	🔥		
Chicken (whole)	1000-1200g / 2.20-2.60 lbs	60 min	200°C / 400°F	🔥		
<b>Fish</b>						
Salmon fillet	400g / 14 oz	8-15 min	170°C / 350°F	🔥🐟		
Shrimps	500g / 1.10 lbs	8 min	170°C / 350°F	🔥🐟		

\* Turn the foods with tongs halfway through cooking.

\*\* Ingredients need to be mixed with the oil in a bowl before cooking.

	Max Amount (g)	Approx Time (min)	Temperature (°C / °F)	Cooking mode	Shake*	Extra information
<b>Snacks</b>						
Frozen chicken nuggets	300g / 10 oz	18 min	200°C / 400°F		Yes	
Frozen cheese sticks	500g / 1.10 lbs	9 min	200°C / 400°F			
Frozen squids	500g / 1.10 lbs	6 min	200°C / 400°F		Yes	
Pizza	400g / 14 oz	8 min	190°C / 375°F			
<b>Grill</b>						
		13 min	200°C / 400°F			
Meat	250g / 8 oz	Preheating: 13 min Cooking: 4-6 min	200°C / 400°F			You can add oil, aromatic herbs and salt for better taste. Flip the meat half-way through the total cooking time to get even cooking results.
Sausages	400g / 14 oz	Preheating: 13 min Cooking: 10-12 min	200°C / 400°F			You can add oil, aromatic herbs and salt for better taste. Flip the sausages half-way through the total cooking time to get even cooking results.
Vegetables	300g / 10 oz	Preheating: 13 min Cooking: 5-10 min	200°C / 400°F			
Fish fillet	200g / 7 oz	Preheating: 13 min Cooking: 3-5 min	200°C / 400°F			
<b>Baking</b>						
Muffins	300g / 10 oz	15-18 min	180°C / 350°F			Use a baking tin/oven dish***
Cake	300g / 10 oz	30 min	160°C / 325°F			
<b>Dehydration</b>						
Apples	6/7 pieces	4-12h	45°C / 100°F			

\* Turn the food with tongs halfway through cooking.

\*\* Ingredients need to be mixed with the oil in a bowl before cooking.

\*\*\* Place the cake tin/ oven dish in the bowl.

**IMPORTANT:** To avoid damaging your appliance, never exceed the maximum quantities of ingredients and liquids indicated in the instruction manual and in the recipes.

When you use mixtures that rise (such as with cake, quiche or muffins) the oven dish should not be filled more than halfway.

Visit [www.t-fal.com](http://www.t-fal.com) for online recipes.

## TIPS

- Smaller foods usually require a slightly shorter cooking time than larger size foods.
- A larger amount of food only requires a slightly longer cooking time, a smaller amount of food only requires a slightly shorter cooking time.
- Shaking smaller size foods halfway through the cooking time improves the end result and can help prevent uneven cooking.
- Add some oil to fresh potatoes for a crispy result. Mix the fries with the spoon of oil in a bowl, then fry the potatoes within a few minutes.
- Do not cook extremely greasy foods in the appliance.
- Snacks that can be cooked in an oven can also be cooked in the appliance.
- The optimal recommended quantity for cooking frozen fries is 700 grams.
- Use ready made puff and shortcrust pastry to make filled snacks quickly and easily.
- Place an oven dish in the appliance's bowl if you want to bake a cake or quiche or if you want to fry fragile ingredients or filled ingredients. You can use an oven dish in silicon, stainless steel, aluminium, terracotta.
- You can also use the appliance to reheat food. To reheat food, set the temperature to 160°C / 320°F for up to 10 minutes.

## MAKING HOME-MADE FRIES

For the best results, we advise to use frozen fries. If you want to make home-made fries, follow the steps below.

1. Choose a variety of potato recommended for making fries. Peel the potatoes and cut them into equal thickness fries.
2. Soak the potato fries in a bowl of cold water for at least 30 minutes, drain them and dry them with a clean, highly absorbent tea towel. Then pat with paper kitchen towel. The fries must be thoroughly dry before cooking.
3. Pour 1 tablespoon of oil (vegetable, sunflower or olive) in a dry bowl, put the fries on top and mix until they are coated with oil.
4. Remove the fries from the bowl with your fingers or a kitchen utensil so that any excess oil stays behind in the bowl. Place the fries in the fries basket.

**Note: Do not tip the container of oil coated fries directly into the basket in one go, otherwise excess oil will end up out of the basket.**

5. Fry the fries according to the instructions in the section Cooking guide.

## CLEANING

Clean the appliance after every use.

**The dip tray has a non-stick coating. Do not use metal kitchen utensils or abrasive cleaning materials to clean it, as this may damage the nonstick coating.**

1. Remove the mains plug from the wall socket and let the appliance cool down.
2. Wipe the outside of the appliance with a damp cloth.
3. Clean the accessories and the appliance's door with hot water, some washing-up liquid and a non-abrasive sponge. You can use a degreasing liquid to remove any remaining dirt.

**All the accessories included and the appliance's door are dishwasher safe.**

**Tip: If dirt is stuck fill them with hot water and some washing-up liquid. Let them soak for approximately 10 minutes. Then rinse clean and dry.**

4. Wipe inside of the appliance with hot water and a damp cloth.
5. Clean the heating element with a dry, cleaning brush to remove any food residues.
6. Do not immerse the appliance in water or any other liquid.

## STORAGE

1. Unplug the appliance and let it cool down.
2. Make sure all parts are clean and dry.

## GUARANTEE AND SERVICE

If you need service or information or if you have a problem, please visit the T-fal website at [www.t-fal.com](http://www.t-fal.com) or contact the T-fal Consumer Care Centre in your country. You can find the phone number in the worldwide guarantee leaflet. If there is no Consumer Care Centre in your country, go to your local T-fal dealer.

## TROUBLESHOOTING

If you encounter problems with the appliance, visit [www.t-fal.com](http://www.t-fal.com) for a list of frequently asked questions or contact the Consumer Care Centre in your country.

## TEFAL/T-FAL\* INTERNATIONAL LIMITED GUARANTEE

 : [www.tefal.com](http://www.tefal.com)

*This product is **repairable** by TEFAL/T-FAL\*, during and after the guarantee period.*

Accessories, consumables and end-user replaceable parts can be purchased, if locally available, as described on the TEFAL/T-FAL internet site [www.tefal.com](http://www.tefal.com)

**The Guarantee\*\*** : TEFAL/T-FAL guarantees this product against any manufacturing defect in materials or workmanship during the guarantee period within those countries\*\*\* as stated in the attached country list, starting from the initial date of purchase or delivery date. The international manufacturer's guarantee covers all costs related to restoring the proven defective product so that it conforms to its original specifications, through the repair or replacement of any defective part and the necessary labour. At TEFAL/T-FAL's choice, a replacement product may be provided instead of repairing a defective product. TEFAL/T-FAL's sole obligation and your exclusive resolution under this guarantee are limited to such repair or replacement.

**Conditions & Exclusions** : TEFAL/T-FAL shall not be obliged to repair or replace any product which is not accompanied by a valid proof of purchase. The product can be taken directly in person or must be adequately packaged and returned, by recorded delivery (or equivalent method of postage), to a TEFAL/T-FAL authorised service centre. Full address details for each country's authorised service centres are listed on TEFAL/T-FAL website ([www.tefal.com](http://www.tefal.com)) or by calling the appropriate consumer Service centre set out in the attached country list. In order to offer the best possible after-sales service and constantly improve customer satisfaction, TEFAL/T-FAL may send a satisfaction survey to all customers who have had their product repaired or exchanged in a TEFAL/T-FAL authorised service centre.

This guarantee applies only for products purchased **and** used for domestic purposes and will not cover any damage which occurs as a result of misuse, negligence, failure to follow TEFAL/T-FAL instructions, or amodification or unauthorised repair of the product, faulty packaging by the owner or mishandling by any carrier. It also does not cover normal wear and tear, maintenance or replacement of consumable parts, or the following:

- using the wrong type of water or consumable
- mechanical damages, overloading
- damage as a result of lightning or power surges
- ingress of water, dust or insects into the product (excluding appliances with features specifically designed for insects)
- accidents including fire, flood, etc
- scaling (any de-scaling must be carried out according to the instructions for use)
- damage to any glass or porcelain ware in the product
- professional or commercial use
- or poor results specifically due to wrong voltage or frequency as stamped on the product ID or specification

**Consumer Statutory Rights** : This international TEFAL/T-FAL guarantee does not affect the Statutory Rights a consumer may have or those **rights that cannot** be excluded or limited, nor rights against the retailer from which the consumer purchased the product. This guarantee gives a consumer specific legal rights, and the consumer may also have other legal rights which vary from State to State or Country to Country. The consumer may assert any such rights at his sole discretion.

\*\*\*Where a product purchased in a listed country and then used in another listed country,

the international TEFAL/T-FAL guarantee duration is the one in the country of usage, even if the product was purchased in a listed country with different guarantee duration. The repair process may require a longer time if the product is not locally sold by TEFAL/T-FAL. If the product is not repairable in the new country, the international TEFAL/T-FAL guarantee is limited to a replacement by a similar or alternative product at similar cost, where possible. \*TEFAL household appliances appear under the T-FAL brand in some territories like America and Japan. TEFAL/T-FAL are registered trademarks of Groupe SEB.

Please keep this document for your reference should you wish to make a claim under the guarantee.

**\*\*For Australia only:**

Our goods come with guarantees that cannot be excluded under the Australian Consumer Law. You are entitled to a replacement or refund for a major failure and compensation for any other reasonably foreseeable loss or damage. You are also entitled to have the goods repaired or replaced if the goods fail to be of acceptable quality and the failure does not amount to a major failure.

**\*\*For India only:** The guarantee length depends on the product and the State in India. Full guarantee terms must be checked at the point of sale. Products purchased outside and used in India benefit from a 2 year guarantee.

The guarantee covers exclusively the repair of a defective product, but at TEFAL's choice, a replacement product may be provided instead of repairing a defective product. It is mandatory that the consumer, to have his product repaired, has to log a service request on the dedicated Smartphone application TEFAL SERVICE APP or by calling TEFAL Consumer Care Center at **1860-200-1232, Opening hours Mon-Sat 09 AM to 06 PM**. Products returned by Post will not be covered by the guarantee. As a proof of purchase consumer needs to provide both this stamped guarantee card and cash memo.

## PRÉCAUTIONS IMPORTANTES

Lorsque vous utilisez un appareil électrique, des précautions de base doivent toujours être respectées, y compris les suivantes :

1. Lisez toutes les instructions avant l'utilisation.
2. Ne touchez pas les surfaces chaudes. Utilisez les poignées ou les boutons.
3. Pour vous protéger contre les décharges électriques, n'immergez pas le cordon, la fiche ou l'appareil dans l'eau ou un autre liquide.
4. Il est nécessaire de rester extrêmement attentif si l'appareil est utilisé par des enfants ou à proximité d'eux.
5. Débranchez l'appareil de la prise lorsqu'il n'est pas utilisé et avant le nettoyage. Laissez refroidir l'appareil avant d'ajouter ou de retirer des pièces.
6. N'utilisez pas un appareil dont le cordon ou la fiche est endommagé, si son fonctionnement est défectueux ou s'il a été endommagé de quelque façon que ce soit. Retournez l'appareil au centre agréé le plus proche pour examen, réparation ou réglage.
7. L'utilisation d'accessoires emboîtables non recommandés par le fabricant de l'appareil peut causer des blessures.
8. N'utilisez pas l'appareil à l'extérieur.
9. Ne laissez pas le cordon pendre d'une table ou d'un comptoir ou toucher des surfaces chaudes.
10. Ne le placez pas sur ou à proximité d'un brûleur à gaz ou électrique chaud, ou dans un four chaud.
11. Faites preuve d'une vigilance extrême en déplaçant un appareil contenant de l'huile chaude ou d'autres liquides chauds.
12. Branchez toujours l'appareil en premier (selon les modèles) avant de le brancher sur une prise murale. Pour déconnecter l'appareil, passez le bouton de commande sur « off », puis retirez la fiche de la prise murale.
13. N'utilisez pas l'appareil à des fins autres que celles pour lesquelles il a été conçu.

## 14. CONSERVEZ CES INSTRUCTIONS POUR USAGE DOMESTIQUE UNIQUEMENT.

15. Branchez l'appareil uniquement sur des prises électriques dont la charge minimale est de 15 A. Si les prises et la fiche sur l'appareil se révèlent incompatibles, faites appel à un technicien qualifié pour remplacer la prise par une autre plus adaptée.
16. Placez le produit à au moins 20 cm du mur pour davantage de sécurité et une meilleure ventilation.

## INSTRUCTIONS POUR LA POLARISATION

Cet appareil possède une fiche polarisée (une broche plus large que l'autre). Pour réduire le risque d'une décharge électrique, cette fiche est conçue pour rentrer dans une prise polarisée d'une seule façon. Si la fiche ne rentre pas complètement dans la prise, mettez-la dans l'autre sens. Si le problème persiste, contactez un technicien qualifié. N'essayez pas de modifier la fiche de quelque manière que ce soit.



## CONSIGNES RELATIVES AU CORDON COURT

N'utilisez pas de rallonge.

Un cordon d'alimentation court doit être fourni pour réduire le risque d'emmêlement ou de trébuchement avec un cordon plus long.

## CONSIGNES DE SÉCURITÉ

- Cet appareil est destiné à un usage domestique uniquement. Il n'est pas destiné à être utilisé, et la garantie ne s'appliquera pas, dans les applications suivantes :
  - cuisines réservées au personnel dans les magasins, bureaux et autres environnements de travail ;
  - fermes ;
  - par les clients dans les hôtels, les motels et autres environnements de type résidentiel ;
  - environnements de type chambres d'hôtes.
- Cet appareil n'est pas destiné à une utilisation avec un minuteur externe ou un système de commande à distance séparé.
- Si le cordon d'alimentation est endommagé, il doit être remplacé par le fabricant, son agent de service ou une personne dûment qualifiée afin d'éviter tout risque.
- Cet appareil n'est pas destiné à être utilisé par des personnes (y compris les enfants) ayant un handicap physique, sensoriel ou mental, ou un manque d'expérience et de connaissances, à moins qu'elles ne soient supervisées ou instruites sur l'utilisation de l'appareil par une personne responsable de leur sécurité.
- Il convient de surveiller les enfants pour s'assurer qu'ils ne jouent pas avec l'appareil.



- La température des surfaces accessibles peut être élevée lorsque l'appareil est en marche. Ne touchez pas les surfaces chaudes de l'appareil.
- Nettoyez les pièces amovibles avec une éponge non abrasive et du détergent à vaisselle. Ces pièces ne sont pas lavables au lave-vaisselle.
- Nettoyez l'intérieur et l'extérieur de l'appareil avec une éponge ou un chiffon humide. Veuillez vous reporter à la section « Nettoyage » des consignes d'utilisation.
- L'appareil peut être utilisé jusqu'à une altitude de 4000 m.

## À faire

- Lisez et suivez les consignes d'utilisation. Conservez-les soigneusement.
- Retirez tout le matériel d'emballage et toutes les étiquettes ou les autocollants promotionnels de votre appareil avant de l'utiliser. Assurez-vous d'avoir aussi enlevé le matériel d'emballage en dessous de la cuve amovible (selon les modèles).
- Assurez-vous que la tension de votre réseau principal correspond à la tension indiquée sur plaque signalétique de l'appareil (courant alternatif).
- Compte tenu des différentes normes en vigueur, si l'appareil est utilisé dans un pays autre que celui où il a été acheté, il doit être vérifié par un centre de service agréé.
- Utilisez l'appareil sur une surface plane, stable et résistante à la chaleur, à distance des élaboussures d'eau.
- Débranchez toujours votre appareil : après utilisation, pour le déplacer ou le nettoyer.
- En cas de feu, débranchez l'appareil et étouffez les flammes avec un linge humide.
- Pour éviter d'endommager votre appareil, veuillez faire en sorte de suivre les recettes contenues dans les consignes et sur [www.t-fal.com](http://www.t-fal.com) ; assurez-vous d'utiliser la bonne quantité d'ingrédients.

## À ne pas faire

- N'utilisez pas l'appareil si ce dernier ou le cordon d'alimentation est endommagé ou s'il est tombé et présente des dommages visibles ou ne semble pas fonctionner normalement. Si cela se produit, l'appareil doit être envoyé à un centre de service agréé.
- N'utilisez pas de rallonge. Si vous décidez tout de même de le faire sous votre propre responsabilité, utilisez une rallonge en bon état et conforme à la puissance de l'appareil.
- Ne laissez pas pendre le cordon d'alimentation.
- Ne débranchez pas l'appareil en tirant sur le cordon d'alimentation.
- Ne déplacez jamais l'appareil tant qu'il contient des aliments chauds.
- Ne faites jamais fonctionner votre appareil à vide.
- N'allumez pas l'appareil près de matériaux inflammables (stores, rideaux) ou près d'une source de chaleur externe (cuisinière à gaz, plaques chauffantes, etc.).
- N'entreposez pas de produits inflammables près du meuble ou sous le meuble où l'appareil est situé.
- Ne démontez jamais l'appareil vous-même.
- Ne plongez pas le produit dans l'eau.
- N'utilisez pas de produits de nettoyage puissants (notamment des décapants à base de soude), ni de coussinets Brillo ou d'éponges métalliques.
- N'entreposez pas votre appareil dehors. Rangez-le dans un endroit sec et bien ventilé.

## Conseils/informations

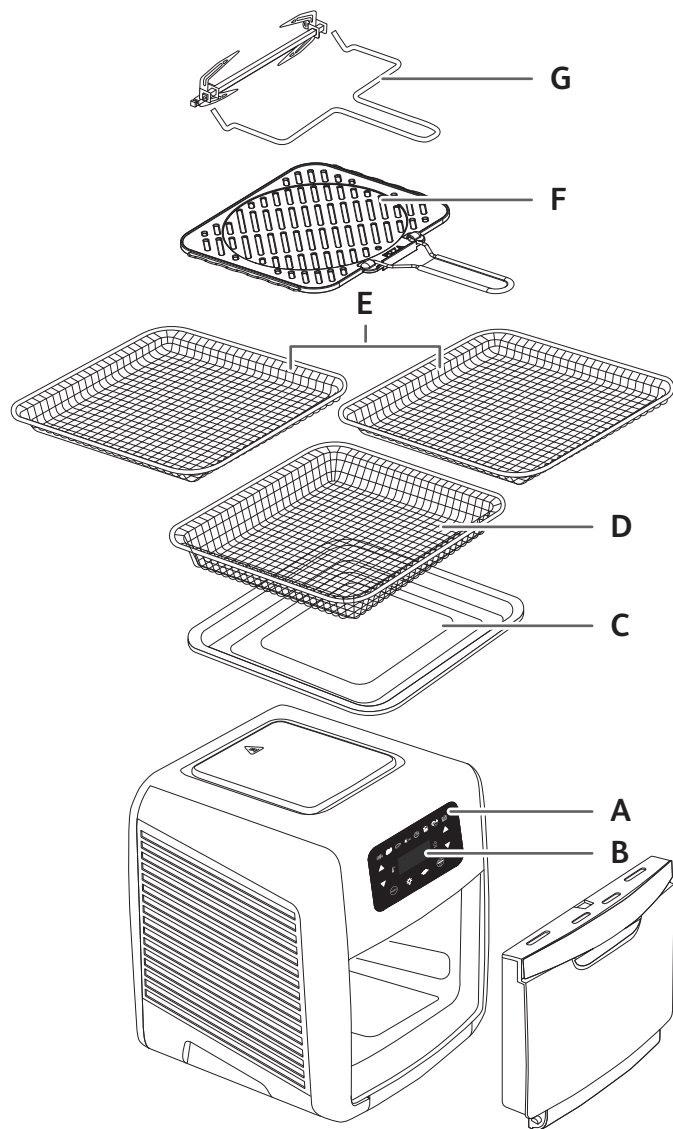
- Lors de la première utilisation du produit, ce dernier peut dégager une odeur non toxique. Cela ne nuira pas à son utilisation et disparaîtra rapidement.
- Pour votre sécurité, cet appareil est conforme aux normes et à la législation en vigueur (directives sur la basse tension, la compatibilité électromagnétique, les matériaux en contact avec les aliments, l'environnement, etc.).
- Cet appareil est destiné à un usage domestique et intérieur uniquement. En cas d'une utilisation professionnelle, d'une utilisation inappropriée ou d'un non-respect des consignes, le fabricant décline toute responsabilité et la garantie ne s'applique pas.
- Pour votre sécurité, utilisez seulement les accessoires et les pièces détachées conçus pour votre appareil.

## Environnement



### Participons à la protection de l'environnement!

- ① Votre appareil contient de nombreux matériaux précieux qui peuvent être récupérés ou recyclés.
- ➔ Confiez-le à un centre de collecte des déchets.



## DESCRIPTION

- |   |                                      |
|---|--------------------------------------|
| A. Écran numérique tactile                | E. 2 grilles                         |
| B. Affichage temps de cuisson/température | F. Plaque gril avec poignée amovible |
| C. Lèche-frite                            | G. Tournebroche à poulet             |
| D. Panier à frites                        |                                      |

## MODES DE CUISSON AUTOMATIQUES

- |            |                   |
|------------|-------------------|
| 1. Frites  | 5. Pizza          |
| 2. Poulet  | 6. Gâteau         |
| 3. Viande  | 7. Déshydratation |
| 4. Poisson | 8. Gril           |

## AVANT LA PREMIÈRE UTILISATION




1. Retirez tout le matériel d'emballage.
2. Enlevez tous les autocollants ou étiquettes de l'appareil.
3. Nettoyez bien le panier à frites, les grilles, la plaque gril et la lèche-frite à l'eau chaude, avec du détergent à vaisselle et une éponge non abrasive.  
**Attention : ces pièces et la porte du four amovible sont lavables au lave-vaisselle.**
4. Essuyez l'intérieur et l'extérieur de l'appareil avec un chiffon humide. L'appareil fonctionne à l'air chaud. Ne remplissez pas la cuve avec de l'huile ou de la graisse de friture.

## PRÉPARATION À L'UTILISATION

1. Placez l'appareil sur une surface stable, horizontale et au niveau. Placez l'appareil sur des surfaces résistantes à la chaleur.
2. **Ne posez rien sur l'appareil. Cela perturbe le débit d'air et nuit au résultat de la cuisson à air chaud.**

## MODE D'EMPLOI DE L'APPAREIL

Easy Fry Oven & Grill permet de cuire une vaste gamme d'ingrédients. Les recettes en ligne sur [www.t-fal.com](http://www.t-fal.com) vous aideront à mieux connaître l'appareil. Les temps de cuisson pour les principaux ingrédients sont indiqués dans la section « Réglages ». Vous trouverez plus de recettes sur [www.t-fal.com](http://www.t-fal.com)

1. Branchez la fiche secteur sur une prise murale.
2. Lancez, si vous le souhaitez, la phase de préchauffage. Pour cela, appuyez sur le bouton démarrage  qui clignote au branchement de l'appareil. La température affichée à la première utilisation est 180°C.
  - Réglez la température voulue avec les touches  et  de l'écran numérique.
  - Appuyez sur le bouton de démarrage pour lancer le préchauffage.
  - Une sonnerie retentit lorsque la température est atteinte.
  - La phase de préchauffage est terminée.

- Placez les ingrédients dans le panier ou sur les grilles.

**Remarque : Ne remplissez jamais le panier ou les grilles au-delà de l'indication MAX et ne dépassez jamais la quantité indiquée dans le tableau (voir la section « Réglages »), car cela pourrait nuire à la qualité du résultat final.**

- Insérez le panier et/ou les grilles dans l'appareil.

**Attention : Ne touchez pas les accessoires pendant l'utilisation et un certain temps après l'utilisation, car ceux-ci deviennent très chauds. Tenez toujours ces accessoires avec une manique.**

- Pour lancer votre cuisson, vous pouvez sélectionner un mode de cuisson automatique ou bien régler manuellement l'appareil.

#### a. En choisissant un réglage manuel:

- Réglez la température (°) en appuyant sur les boutons (▲) and (▼) de l'écran numérique. Le thermostat varie de 65-200°C (150-400°F).
- Réglez ensuite le temps de cuisson souhaité en appuyant sur la touche (⌚) et en réglant avec (▲) et (▼) de l'écran numérique. La minuterie va de 0 à 60 minutes.
- Appuyez sur le bouton démarrage pour lancer la cuisson avec la température et le temps sélectionnés. La cuisson commence. La température sélectionnée et le temps de cuisson restant paraissent alternativement à l'écran.

#### b. En choisissant un mode de cuisson automatique:

- Appuyez sur (⌚) pour sélectionner jusqu'à atteindre le mode de cuisson souhaité, qui clignote (explication des modes dans la section « Réglages »).
- Validez le mode de cuisson en appuyant sur le bouton de démarrage (▶). Cela lance votre cuisson.
- La cuisson commence. La température sélectionnée et le temps de cuisson restant paraissent alternativement à l'écran.
- Le surplus d'huile des ingrédients s'écoule dans la lèche-frite.
- Certains ingrédients doivent être remués à mi-cuisson (voir la section « Réglages »). Pour remuer les ingrédients, retirez le panier ou la grille de l'appareil et retournez les aliments à l'aide d'une fourchette ou d'un ustensile adapté. Ensuite, remettez le panier ou les grilles dans l'appareil et appuyez sur le bouton de démarrage pour relancer la cuisson.
- Lorsque le temps de cuisson est écoulé, l'appareil sonne et s'arrête. Retirez le panier ou les grilles de l'appareil et posez-les sur une surface résistante à la chaleur.**
- Assurez-vous que les ingrédients sont prêts.**  
Si les ingrédients ne sont pas encore prêts, réinsérez simplement le panier ou les grilles dans l'appareil et réglez la minuterie à quelques minutes supplémentaires.
- Lorsque les ingrédients sont prêts, retirez le panier ou les grilles et utilisez une pince pour retirer les ingrédients.

Après la cuisson à air chaud, le panier, les grilles et les ingrédients sont chauds. Selon le type d'ingrédients placés dans l'appareil, de la vapeur peut s'échapper de l'appareil.

- Lorsqu'un lot d'ingrédients est prêt, l'appareil est prêt instantanément pour préparer un autre lot.

## CUISSON AVEC LE MODE GRILL

- Avant l'utilisation de la plaque grill, fixez la poignée. Pour cela, pressez la poignée afin que chaque côté s'insère parfaitement dans les trous. Relâchez la poignée et rabaissez-la.
- Placez la plaque grill au niveau supérieur de l'appareil et retirez la poignée en la pressant.
- Appuyez sur (▶) ensuite appuyez sur (MENU) sur l'écran jusqu'à sélectionner le mode Grill qui clignotera (⌚).
- Lancez le préchauffage en appuyant sur le bouton de démarrage (▶). La durée de la phase de préchauffage est de 13 minutes.
- Une sonnerie retentit lorsque cette phase de préchauffage est terminée.
- Ouvrez l'appareil, fixez la poignée sur la plaque grill. Retirez la plaque grill de l'appareil et la poser sur une surface résistante à la chaleur.



**Attention : ne touchez pas la plaque grill pendant et après utilisation lorsqu'elle est encore chaude. Utilisez toujours la poignée pour tenir la plaque.**

- Ajoutez les ingrédients sur la plaque grill.
- Remettez la plaque grill sur le niveau supérieur de l'appareil. Retirez la poignée avant de refermer l'appareil.
- Sélectionnez le temps de cuisson en appuyant sur les boutons (▲) et (▼) (voir la section « Réglages »). La température et le temps de cuisson restant paraissent en alternance sur l'écran.
- Lorsque le temps de cuisson est écoulé, l'appareil sonne et s'arrête. Ouvrez l'appareil, fixez la poignée sur la plaque grill et retirez la plaque de l'appareil. Posez-la sur une surface résistante à la chaleur.
- Vérifiez si les ingrédients sont prêts. Si les ingrédients ne sont pas encore prêts, réinsérez simplement la plaque en s'aidant de la poignée et réglez quelques minutes supplémentaires.
- Lorsque les ingrédients sont prêts, retirez la plaque grill et utilisez une pince pour retirer les ingrédients.

**Attention : après cuisson, la grille et les ingrédients sont chauds.**

## RÉGLAGES

Le tableau ci-dessous vous aide à sélectionner les réglages de base pour les ingrédients que vous souhaitez préparer. **Remarque : Les temps de cuisson sont donnés à titre de référence et peuvent varier en fonction de la variété et de la quantité de pommes de terre utilisées. La taille, la forme et la marque des autres aliments peut déterminer les résultats. Pour cette raison, il est possible que vous ayez à modifier leur temps de cuisson légèrement.**

Pour passer en mode °F, appuyez simultanément sur les touches  + 

	Quantité min/ max (g)	Temps (min)	Température (°C/°F)	Mode de cuisson	Remuez*	Informations supplémentaires
<b>Pommes de terre et frites</b>						
Frites surgelées fines	700-750g / 1.5 lbs	25-30 min	200°C / 400°F		Oui	
Frites maison (8 x 8 mm)	700-750g / 1.5 lbs	40 min	200°C / 400°F		Oui	Ajouter une 1 c. à soupe d'huile**
Quartiers de pommes de terre surgelées	700-750g / 1.5 lbs	25-30 min	200°C / 400°F		Oui	Ajouter une 1 c. à soupe d'huile**
<b>Viandes et volailles</b>						
Steaks congelés	500g / 1.10 lbs	7-14 min	180°C / 350°F			
Boulettes de viande congelées	800g / 1.5 lbs	40 min	200°C / 400°F			
Escalopes de poulet	500g / 1.10 lbs	6-9 min	200°C / 400°F			
Poulet (entier)	1000-1200g / 2.20-2.60 lbs	60 min	200°C / 400°F			Utiliser la cuve sans la grille
<b>Poisson</b>						
Filet de saumon	400g / 14 oz	8-15 min	170°C / 350°F			
<b>Snacks</b>						
Croquettes de poulet surgelées	300g / 10 oz	18 min	200°C / 400°F		Oui	
Ailes de poulet surgelées	500g / 1.10 lbs	9 min	200°C / 400°F		Oui	
Bâtonnets de fromages surgelés	500g / 1.10 lbs	6 min	200°C / 400°F			
Beignets d'oignon surgelés	400g / 14 oz	8 min	190°C / 375°F		Oui	
<b>Gril</b>						
		13 min	200°C / 400°F			
Viande	250g / 8 oz	Préchauffage: 13 min Cuisson: 4-6 min	200°C / 400°F			Vous pouvez ajouter de l'huile, des fines herbes aromatiques et du sel pour relever le goût. À la mi-cuisson, vous pouvez retourner la viande à l'aide d'une pince.
Saucisses	400g / 14 oz	Préchauffage: 13 min Cuisson: 10-12 min	200°C / 400°F			Vous pouvez ajouter de l'huile, des fines herbes aromatiques et du sel pour relever le goût. À la mi-cuisson, vous pouvez retourner les saucisses à l'aide d'une pince.
Légumes	300g / 10 oz	Préchauffage: 13 min Cuisson: 5-10 min	200°C / 400°F			
Filet de poisson fillet	200g / 7 oz	Préchauffage: 13 min Cuisson: 3-5 min	200°C / 400°F			
<b>Pâtisserie</b>						
Muffins	4 x 100 g	18-22 min	180°C / 356°F			Utilisez un plat allant au four***
Gâteau	300g / 10 oz	30 min	160°C / 325°F			
<b>Déshydratation</b>						
Pommes	6-7 morceaux	4-12h	45°C / 100°F			

\*Remuez à mi-cuisson à l'aide d'une pince ou d'un ustensile adapté.

\*\*Les aliments doivent être remués avec l'huile dans un bol.

\*\*\*Placez un moule à gâteau / plat à four dans le bol de l'appareil (silicone, acier inoxydable, aluminium, terre cuite,...).

IMPORTANT: Pour éviter d'endommager votre appareil, ne jamais dépasser les quantités maximales d'ingrédients et les liquides indiqués dans le mode d'emploi et dans les recettes. Lorsque vous utilisez des mélanges qui gonflent pendant la cuisson (comme un gâteau, une quiche ou des muffins), le plat du four doit ne pas être rempli plus de la moitié.

Consultez les recettes en ligne du site [www.t-fal.com](http://www.t-fal.com)

## CONSEILS

- Les petits ingrédients nécessitent généralement un temps de cuisson légèrement plus court que les ingrédients plus volumineux.
  - Une grande quantité d'ingrédients nécessite uniquement un temps de cuisson légèrement plus long, une petite quantité d'ingrédients nécessite uniquement un temps de cuisson légèrement plus court.
  - Remuer les petits ingrédients à mi-cuisson permet d'optimiser le résultat final et peut contribuer à une meilleure homogénéité de la cuisson des ingrédients.
  - Ajoutez de l'huile aux pommes de terre fraîches pour obtenir un résultat croustillant. Après avoir ajouté l'huile, faites frire vos ingrédients dans l'appareil dans les minutes qui suivent.
  - Ne préparez pas des ingrédients extrêmement gras, tels que les saucisses, dans l'appareil.
  - Les bouchées qui peuvent être cuites au four peuvent également être cuites dans l'appareil.
  - La quantité optimale de frites pour un résultat croustillant est de 700 grammes.
  - Utilisez de la pâte toute prête pour préparer des bouchées fourrées rapidement et facilement. La pâte toute prête nécessite également un temps de cuisson plus court que la pâte maison.
  - Placez un plat allant au four dans la cuve de l'appareil si vous souhaitez préparer un gâteau ou une quiche ou si vous voulez cuire des ingrédients fragiles ou fourrés.
  - Vous pouvez également utiliser l'appareil pour réchauffer les ingrédients. Pour réchauffer les ingrédients, réglez la température à 160°C / 320°F pour au plus 10 minutes.
- Remarque : Lorsque vous utilisez des ingrédients qui lèvent (**tels que des gâteaux, des quiches ou des muffins**), le plat allant au four ne doit pas être rempli à plus de la moitié.

## FAIRE DES FRITES MAISON

Pour obtenir les meilleurs résultats possibles, nous vous conseillons d'utiliser des frites précuites (p. ex., surgelées). Si vous souhaitez préparer des frites maison, veuillez suivre les étapes ci-dessous.

1. Épluchez les pommes de terre et coupez-les en bâtonnets.
2. Faites tremper les bâtonnets de pommes de terre dans un bol pendant au moins 30 minutes, retirez-les et séchez-les avec des essuie-tout.
3. Versez 1 cuillère à soupe d'huile d'olive dans un bol, mettez-y les bâtonnets et mélangez jusqu'à ce que les bâtonnets soient recouverts d'huile.
4. Enlevez les bâtonnets du bol avec vos doigts ou un ustensile de cuisine de sorte que l'excédent d'huile reste dans le bol. Placez les bâtonnets dans la cuve.

**Remarque : N'inclinez pas le bol pour mettre tous les bâtonnets dans la cuve en une seule fois, afin d'éviter que l'excédent d'huile se retrouve au fond de la cuve.**

5. Faites cuire les bâtonnets de pommes de terre conformément aux instructions de la section « Réglages ».

## NETTOYAGE

Nettoyez l'appareil après chaque utilisation.

**Le revêtement de la lèche frites est anti-adhésif. N'utilisez pas d'ustensiles de cuisine métalliques ou des produits de nettoyage abrasifs pour la nettoyer, car cela peut endommager le revêtement anti-adhésif.**

1. Retirez la fiche secteur de la prise murale et laissez l'appareil refroidir
2. Essuyez l'extérieur de l'appareil avec un chiffon humide.
3. Nettoyez le panier, les grilles, la lèchefrite et la plaque grill à l'eau chaude, avec du détergent à vaisselle et une éponge non abrasive. Vous pouvez utiliser un liquide dégraissant pour enlever tout résidu de saleté.

**Attention : ces pièces ainsi que la porte du four amovible sont lavables au lave-vaisselle.**

**Conseil : Si la saleté adhère sur les accessoires, laissez-les tremper dans de l'eau chaude et du détergent à vaisselle pendant environ 10 minutes.**

4. Nettoyez l'intérieur de l'appareil avec de l'eau chaude et une éponge non abrasive.
5. Nettoyez l'élément chauffant avec une brosse nettoiyante pour retirer les résidus d'aliments.

## RANGEMENT

1. Débranchez l'appareil et laissez-le refroidir
2. Assurez-vous que toutes les pièces sont propres et sèches.

## ENVIRONNEMENT

Ne jetez pas l'appareil avec les ordures ménagères ordinaires à la fin de sa vie utile, mais déposez-le à un point de collecte officiel pour qu'il soit recyclé. Vous aiderez ainsi à préserver l'environnement.

## GARANTIE ET SERVICE APRÈS-VENTE

Si vous avez besoin d'un service après-vente ou d'informations ou en cas de problème, veuillez consulter le site Web de T-Fal à l'adresse [www.t-fal.com](http://www.t-fal.com) ou contacter le service d'assistance à la clientèle T-Fal de votre pays. Vous trouverez le numéro de téléphone dans le livret de garantie mondiale. S'il n'y a pas de service clients dans votre pays, veuillez vous rendre chez votre distributeur T-Fal local.

## DIAGNOSTIC D'ANOMALIE

Si vous rencontrez des problèmes avec votre appareil, visitez [www.t-fal.com](http://www.t-fal.com) pour consulter la foire aux questions ou contactez le service d'assistance à la clientèle de votre pays.

## TEFAL/T-FAL\* GARANTIE INTERNATIONALE

 : [www.tefal.com](http://www.tefal.com)

**Ce produit est réparable par TEFAL/T-FAL\*, pendant et après la période de garantie.**

Les accessoires, consommables et autres pièces remplaçables directement par l'utilisateur, peuvent être commandés, s'ils sont disponibles localement, sur le site internet [www.tefal.com](http://www.tefal.com)

**La Garantie :** Ce produit est garanti par TEFAL/T-FAL contre tout défaut de fabrication, de matière ou de main-d'oeuvre, pendant la période de garantie dans les pays\*\*\* tels que définis dans la liste des pays jointe, à partir de la date d'achat initiale ou de la date de livraison.

La Garantie Internationale du fabricant couvre tous les coûts de remise en état d'un produit reconnu défectueux pour redevenir conforme à ses spécifications d'origine, par la réparation, la main-d'oeuvre, et le remplacement éventuel de pièces défectueuses. Au choix de TEFAL/T-FAL, un produit de remplacement peut être proposé à la place de la réparation du produit défectueux. Les obligations de TEFAL/T-FAL dans le cadre de cette garantie se limitent exclusivement à cette réparation ou ce remplacement.

**Conditions & Exclusions :** TEFAL/T-FAL n'a aucune obligation de réparer ou d'échanger un produit qui ne serait pas accompagné d'un justificatif d'achat. Le produit peut être déposé directement chez un réparateur agréé, ou peut y être envoyé en recommandé après avoir été emballé de manière adéquate. La liste complète des réparateurs agréés dans chaque pays, avec leurs coordonnées complètes, est disponible sur le site de TEFAL/T-FAL ([www.tefal.com](http://www.tefal.com)), ou en composant le numéro du Service Consommateurs précisé dans la Liste des Pays. Afin d'offrir le meilleur service après-vente possible et d'améliorer constamment la satisfaction de ses clients, TEFAL/T-FAL pourra envoyer une enquête de satisfaction à tous ses clients dont le produit aura été réparé ou échangé par l'un des partenaires service agréés de TEFAL/T-FAL. La Garantie Internationale de TEFAL/T-FAL couvre exclusivement les produits achetés dans un des pays listés, et utilisés à des fins domestiques également dans un des pays listés dans la Liste des Pays. Cette garantie ne couvre pas les dommages qui seraient le résultat d'une mauvaise utilisation, d'une négligence, du non-respect des instructions d'utilisation et de maintenance, ou d'une modification ou d'une réparation non autorisée du produit. Cette garantie ne s'applique pas aux problèmes d'emballage ou de transport pendant l'expédition du produit par son propriétaire. Elle n'inclut également pas l'usure normale du produit, ni la maintenance ou le remplacement de pièces consommables, ni les cas suivants :

- utilisation d'une eau ou de consommables non adaptés
- entartrage (tout détartrage doit être réalisé conformément aux instructions dans le mode d'emploi)
- dommages dus à un choc, ou à une surcharge
- entrée d'eau, de poussière, d'insectes dans le produit (hors appareils aux caractéristiques spécialement conçues pour les insectes)
- tout accident lié à un feu, une inondation, etc
- usage professionnel ou sur un lieu de travail
- verre ou céramique endommagé
- dommage résultant de la foudre ou surtension électrique
- dommages ou dysfonctionnements spécifiquement dus à l'utilisation avec un voltage, une fréquence électrique non conformes à ceux spécifiés sur la plaque signalétique ou toute autre spécification locale.

**Droits des Consommateurs :** Cette Garantie Internationale de TEFAL/T-FAL n'affecte ni les droits légaux dont bénéficie tout consommateur localement, qui ne sauraient être exclus ou

FR

limités, ni les droits légaux envers un distributeur auprès de qui aurait été acheté un produit. Cette Garantie donne au consommateur des droits spécifiques, et le consommateur peut par ailleurs bénéficier des droits particuliers en fonction du Pays, de l'Etat ou de la Province. Le consommateur peut faire usage de ces droits de son seul fait.

*\*\*\*En cas d'utilisation dans un pays listé différent du pays d'achat, la durée de la Garantie Internationale de TEFAL/T-FAL est celle du pays d'utilisation du produit, y compris dans le cas où le produit aurait été acquis dans un pays listé avec une durée de garantie différente. Le traitement de la Garantie Internationale peut prendre un temps supérieur aux conditions locales de réparation si la référence du produit n'est pas elle-même commercialisée par TEFAL/T-FAL dans le pays d'emploi. Au cas où le produit ne serait pas réparable dans le pays d'emploi, la Garantie Internationale de TEFAL/T-FAL est limitée au remplacement par un produit équivalent ou un produit alternatif de même valeur, si c'est possible.*

#### **Pour la France uniquement :**

**Article L 217-4 du Code de la consommation :** « Le vendeur est tenu de livrer un bien conforme au contrat et répond des défauts de conformité existant lors de la délivrance. Il répond également des défauts de conformité résultant de l'emballage, des instructions de montage ou de l'installation lorsque celle-ci a été mise à sa charge par le contrat ou a été réalisée sous sa responsabilité. »

**Article L 217-5 du Code de la consommation :** « Pour être conforme au contrat, le bien doit :

1° Etre propre à l'usage habituellement attendu d'un bien semblable et, le cas échéant :  
- correspondre à la description donnée par le vendeur et posséder les qualités que celui-ci a présentées à l'acheteur sous forme d'échantillon ou de modèle ;  
- présenter les qualités qu'un acheteur peut légitimement attendre eu égard aux déclarations publiques faites par le vendeur, par le producteur ou par son représentant, notamment dans la publicité ou l'étiquetage ;

2° Ou présenter les caractéristiques définies d'un commun accord par les parties ou être propre à tout usage spécial recherché par l'acheteur, porté à la connaissance du vendeur et que ce dernier a accepté. »

**Article L 217-12 du Code de la consommation :** « L'action résultant du défaut de conformité se prescrit par deux ans à compter de la délivrance du bien. »

**Article L 217-16 du Code de la consommation :** « Lorsque l'acheteur demande au vendeur, pendant le cours de la garantie commerciale qui lui a été consentie lors de l'acquisition ou de la réparation d'un bien meuble, une remise en état couverte par la garantie, toute période d'immobilisation d'au moins sept jours vient s'ajouter à la durée de la garantie qui restait à courir. Cette période court à compter de la demande d'intervention de l'acheteur ou de la mise à disposition pour réparation du bien en cause, si cette mise à disposition est postérieure à la demande d'intervention. »

**Article 1641 du Code civil :** « Le vendeur est tenu de la garantie à raison des défauts cachés de la chose vendue qui la rendent impropre à l'usage auquel on la destine, ou qui diminuent tellement cet usage que l'acheteur ne l'aurait pas acquise, ou n'en aurait donné qu'un moindre prix, s'il les avait connus. »

**Article 1648, al.1er du Code civil :** « L'action résultant des vices rédhibitoires doit être intentée par l'acquéreur dans un délai de deux ans à compter de la découverte du vice. »

*\* La marque de produits TEFAL apparait dans certains pays comme le Japon ou les USA sous la forme T-FAL. TEFAL/T-FAL sont des marques déposées du Groupe SEB.*

Veuillez conserver ce document qui vous sera utile en cas de réclamation sous garantie.

## PRECAUCIONES IMPORTANTES

Cuando se usan artefactos eléctricos, siempre se deben seguir las precauciones básicas de seguridad, entre las que se incluyen las siguientes:

1. Lea todas las instrucciones antes de usarlo.
2. No toque las superficies calientes. Utilice las asas o perillas.
3. Para protegerse contra descargas eléctricas no sumerja el cable, los enchufes o el artefacto en agua u otro líquido.
4. Es necesario supervisar de cerca a los niños cuando se utiliza cualquier artefacto cerca de ellos.
5. Desenchufe el artefacto del tomacorriente cuando no lo esté utilizando y antes de limpiarlo. Deje que el artefacto se enfríe antes de colocarlo o retirarle piezas.
6. No haga funcionar ningún artefacto que tenga un cable o enchufe dañado, después de que el artefacto tenga problemas en su funcionamiento o que se haya dañado de cualquier forma. Devuelva el artefacto al servicio autorizado más cercano para su inspección, reparación o ajuste.
7. El uso de accesorios no recomendados por el fabricante del artefacto puede ocasionar lesiones.
8. No utilice el artefacto al aire libre.
9. No permita que el cable cuelgue por el borde de la mesa o en la encimera de la cocina, ni que esté en contacto con superficies calientes.
10. No lo coloque sobre ni cerca de un quemador a gas o eléctrico caliente, ni en un horno calentado.
11. Se debe tener precaución extrema al mover un aparato que contenga aceite caliente u otros líquidos calientes.
12. Coloque siempre el enchufe en el aparato en primer lugar (depende del modelo) y luego enchufe el cable en el tomacorriente. Para desconectarlo, gire todos los controles a la posición «off» (Apagado) y retire el enchufe del tomacorriente.
13. No utilice el aparato para otro uso que no sea el uso previsto.

## 14. GUARDE ESTAS INSTRUCCIONES SOLO PARA EL HOGAR..

15. Solo conecte el aparato a tomacorrientes eléctricos que tengan una carga mínima de 15 A. Si los tomacorrientes y el enchufe del aparato son incompatibles, solicite a un técnico profesional calificado que cambie el tomacorrientes por uno más adecuado.
16. Mantenga el producto al menos a 20 cm de la pared para una mejor ventilación y seguridad.

## INSTRUCCIONES DE POLARIZACIÓN


Este artefacto tiene una clavija polarizada (una patilla es más ancha que la otra). Para reducir el riesgo de descarga eléctrica, el enchufe está diseñado para entrar en un tomacorriente polarizado de una sola manera. Si el enchufe no se inserta completamente en el tomacorriente, intente enchufarlo invirtiéndolo de posición. Si sigue sin ajustarse, comuníquese con un electricista calificado. No intente cambiar la forma del enchufe.

## INSTRUCCIONES SOBRE EL CABLE CORTO

No use con un cable de extensión.

Se debe proporcionar un cable de alimentación corto para reducir el riesgo que puede ocasionar el enredarse o tropezarse con un cable más largo.

## INSTRUCCIÓN DE SEGURIDAD

- Este aparato está previsto para uso doméstico solamente. No está diseñado para los siguientes usos y la garantía no se aplicará para:
  - áreas de cocina con personal en tiendas, oficinas u otros entornos de trabajo;
  - granjas;
  - por clientes en hoteles, moteles y otros entornos de tipo residencial;
  - entornos del tipo hospedería.
- Este artefacto no está diseñado para ser operado a través de un temporizador externo o un sistema independiente de control remoto.
- Si el cable de alimentación está dañado, el fabricante, el agente de servicios o personas con una calificación similar deberán sustituirlo para evitar peligros.
- Este artefacto no está diseñado para ser utilizado por personas (incluidos niños) con limitaciones físicas, sensoriales o mentales, o por personas sin experiencia ni conocimiento, a menos que hayan recibido supervisión o instrucciones por parte de una persona responsable de su seguridad en cuanto al uso del artefacto.
- Se debe supervisar a los niños para impedir que jueguen con el artefacto.
-  La temperatura de las superficies accesibles pueden elevarse cuando el artefacto se encuentra en funcionamiento. No toque las superficies calientes del aparato.
- Limpie las partes desmontables con una esponja no abrasiva y líquido de lavavajillas. No se puede limpiar estas partes en el lavavajillas.
- Limpie el interior y el exterior del aparato con una esponja o un paño húmedos. Consulte la sección «Limpieza» de las instrucciones de uso.
- El aparato se puede usar hasta una altitud máxima de 4000 m

## Qué debe hacer

- Lea y siga las instrucciones de uso. Guárdelas en un lugar seguro.
- Retire todos los materiales de embalaje y las etiquetas o calcomanías promocionales de su aparato antes de usarlo. Asegúrese de retirar todos los materiales que estén debajo del tazón extraíble (depende del modelo).
- Verifique que el voltaje de su red de corriente corresponde al voltaje indicado en la placa de características que está en el aparato (corriente alterna).
- Dados los diversos estándares en vigencia, si el aparato se usa en un país que no sea en el cual se compró, haga que un Centro de servicio aprobado lo verifique.
- Use el aparato sobre una superficie plana, estable y resistente al calor, lejos de lugares donde pueda recibir salpicaduras de agua.
- Siempre desenchufe su aparato: después de usarlo, para moverlo o para limpiarlo.

- En caso de incendio, desenchufe el aparato y apague las llamas con un paño de cocina húmedo.
- Para evitar daños en su aparato, asegúrese de seguir las recetas en las instrucciones y en [www.t-fal.com](http://www.t-fal.com); asegúrese de usar las cantidades correctas de los ingredientes

## Qué no debe hacer

- No use el aparato si este o su cable de alimentación está dañado o si se ha caído y tiene daños visibles o parece estar funcionando de forma anormal. Si esto ocurre, se debe enviar el aparato a un Centro de servicio aprobado.
- No use con un cable de extensión. Si, no obstante lo anterior, decide hacerlo, bajo su propia responsabilidad, use un cable de extensión que esté en buenas condiciones y que sea acorde a la potencia de su aparato.
- No deje el cable de alimentación colgando.
- No desconecte el aparato tirando del cable de alimentación.
- Nunca mueva el aparato cuando todavía contiene comida caliente.
- Nunca utilice su aparato cuando esté vacío.
- No encienda el aparato si está cerca de materiales inflamables (persianas, cortinas...) o cerca de una fuente de calor externa (estufa de gas, hornillo, etc.).
- No guarde productos inflamables cerca o debajo del mueble en el cual se encuentra el aparato.
- Nunca desarme el aparato usted mismo.
- No sumerja el producto en agua.
- No use productos de limpieza (en particular, decapantes a base de bicarbonato), ni almohadillas de brillo ni estropajos.
- No guarde su aparato en el exterior. Guárdelo en un área bien ventilada y seca

## Consejo o información

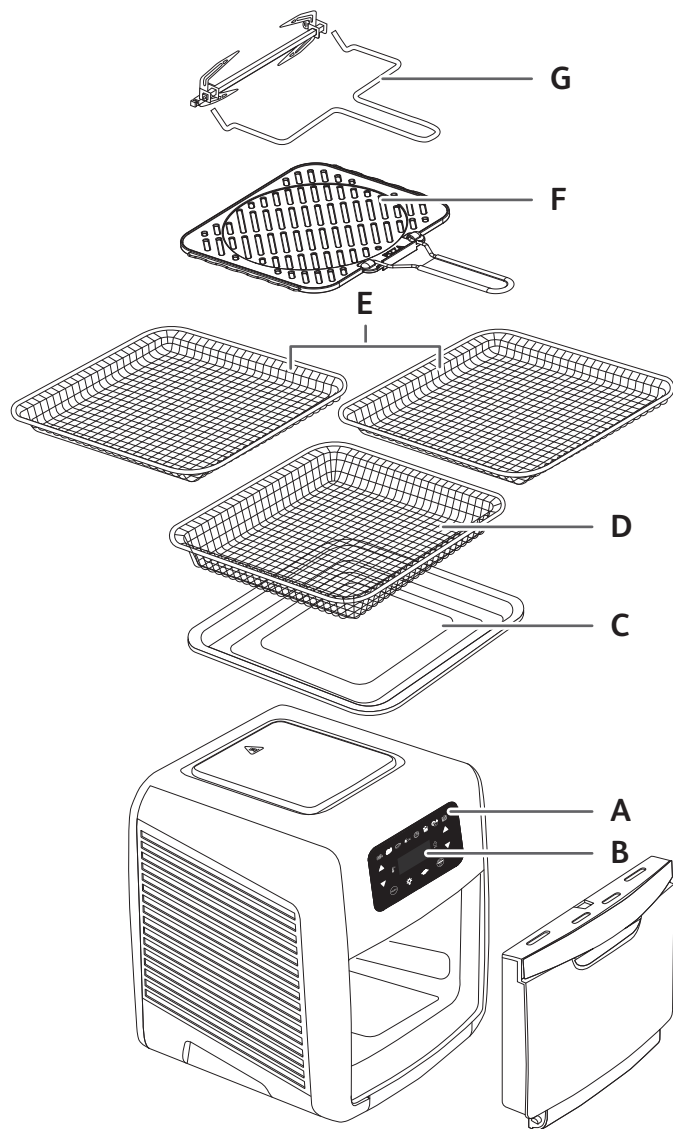
- Cuando use el producto por primera vez, podría liberar un olor no tóxico. Esto no afectará el uso y desaparecerá rápidamente.
- Para su seguridad, este aparato cumple con los estándares y las regulaciones aplicables (Directivas sobre bajo voltaje, Compatibilidad electromagnética, Materiales en contacto con alimentos, Medio ambiente, etc.).
- Este aparato fue diseñado solo para uso doméstico y no para exteriores. En caso de uso profesional, uso inadecuado o incumplimiento de las instrucciones, el fabricante declina toda responsabilidad y no se aplica la garantía.
- Para su seguridad, solo use los accesorios y las piezas de repuesto que están diseñadas para su aparato.

## Medio ambiente



### ¡Primero la protección del ambiente!

- ① Su electrodoméstico contiene valiosos materiales que se pueden recuperar o reciclar.
- ➔ Déjelo en un centro local de recolección cívica de basura.



## DESCRIPCIÓN

- A. Panel táctil digital
- B. Pantalla de temperatura/tiempo
- C. Bandeja de goteo
- D. Canasta de papas fritas

- E. 2 rejillas
- F. Parrilla con asa extraíble
- G. Accesorio de pollo rostizado

## MODOS AUTOMÁTICOS DE COCCIÓN

- |                        |                   |
|------------------------|-------------------|
| 1. Papas a la francesa | 5. Pizza          |
| 2. Pollo               | 6. Pastel         |
| 3. Carne               | 7. Deshidratación |
| 4. Pescado             | 8. Parrilla       |

## ANTES DE USAR POR PRIMERA VEZ


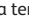

1. Retire todo el material de embalaje.
2. Retire todas las calcomanías o etiquetas del aparato.
3. Limpie minuciosamente la canasta, las rejillas, la parrilla y la bandeja de goteo con agua caliente, un poco de líquido lavavajillas y una esponja no abrasiva.  
**Nota: Se puede limpiar estas partes en el lavavajillas incluida la puerta extraíble del aparato.**
4. Limpie el interior y el exterior del aparato con un paño húmedo. El dispositivo funciona con aire caliente.

## PREPARACIÓN PARA EL USO

1. Coloque el aparato en una superficie nivelada, horizontal y estable. Coloque el aparato en superficies que sean resistentes al calor.
2. No coloque nada encima del aparato. Esto interrumpe el flujo de aire y afecta el resultado de freído con aire caliente.

## USO DEL APARATO

Easy Fry Oven & Grill puede cocer una gran variedad de ingredientes. Las recetas que están en línea en [www.t-fal.com](http://www.t-fal.com) le ayudan a conocer el aparato. Los tiempos de cocción para los principales ingredientes se proporcionan en la sección «Ajustes».

1. Enchufe el cable de alimentación en el tomacorriente.
2. Comience con la fase de precalentamiento si así lo desea. Para hacerlo, presione el botón de inicio  que parpadeará tan pronto se enchufe el artefacto. La temperatura de primer uso que aparece en pantalla es de 180°C.
  - Ajuste la temperatura deseada con los botones  y  en la pantalla digital.
  - Presione el botón de inicio de nuevo para activar el precalentamiento.
  - El artefacto emitirá un pitido cuando haya alcanzado la temperatura.
  - La fase de precalentamiento ha finalizado.
3. Coloque los ingredientes en la canasta o las rejillas.

**Nota: Nunca llene la canasta o las rejillas más allá de la indicación MÁX. ni exceda la cantidad indicada en el cuadro (vea la sección «Ajustes»), ya que esto podría afectar la calidad del resultado final.**

4. Deslice el recipiente hacia el interior del artefacto.  
**Precaución: No toque los accesorios durante el uso y cierto tiempo después de usarlos ya que se calienta mucho. Solo sostenga estos accesorios con la asa o con un guante.**



5. Para comenzar a cocinar, puede seleccionar la configuración del modo de cocción automático o del modo manual.

**a. Si selecciona la configuración manual:**

- Ajuste la temperatura (↓) con los botones (▲) y (▼) en la pantalla digital. El termostato varía de 65-200°C (150-400°F)
- Después, configure el tiempo de cocción deseado presionando el botón (⌚) y ajustando el tiempo con los botones (▲) y (▼). El temporizador se puede configurar entre 0 y 60 minutos.
- Presione el botón de inicio para comenzar a cocinar con las configuraciones de temperatura y tiempo seleccionadas. La cocción comenzará. La temperatura seleccionada y el tiempo restante de cocción se alternarán en la pantalla.

**b. Si selecciona el modo de cocción automático:**

- Presione el botón (MENU) en pantalla para seleccionar el modo de cocción deseado (estos modos se describen en detalle en la sección "Guía de cocción").
  - Confirme el modo de cocción presionando el botón de inicio. Esto pondrá en funcionamiento el proceso de cocción.
  - La cocción comienza. La temperatura seleccionada y el tiempo restante de cocción se alternarán en la pantalla.
6. El exceso de aceite de los ingredientes se recolecta en la bandeja de goteo.
7. Algunos ingredientes requieren agitado a la mitad de su tiempo de preparación (vea la sección «Ajustes»). Para agitar los ingredientes, retire la canasta o rejillas del aparato y voltee los ingredientes a la mitad de la cocción con un tenedor o utensilio de cocina adecuado. Después, deslice el recipiente hacia dentro del artefacto y presione el botón de inicio de nuevo para reanudar la cocción.

8. Cuando escuche la campanilla del temporizador, el tiempo de preparación establecido habrá finalizado. Retire la canasta o las rejillas del aparato y colóquelas sobre una superficie resistente al calor.

**9. Verifique que los ingredientes estén preparados.**

Si los ingredientes no están listos todavía, simplemente deslice los recipientes nuevamente dentro del aparato y configure el temporizador con unos minutos adicionales.

10. Vacíe la sartén dentro de un tazón o una bandeja.

Para retirar los ingredientes, use un par de pinzas para levantar los ingredientes y retirarlos. Después de freír con aire caliente, los recipientes y los ingredientes están calientes. Según el tipo de ingredientes que haya en el dispositivo podría salir vapor de la sartén.

11. Cuando haya una tanda de ingredientes listos, el dispositivo está listo al instante para preparar otra tanda.

## USO DEL MODO GRILL

1. Antes de usar la placa de parrilla, fije el mango. Presione el mango para fijar cada lado en los agujeros. Suelte el mango y bájelo.
2. Coloque la parrilla en el nivel superior del aparato. Retire el mango presionándolo.
3. Presione el botón (⌚) luego presione el botón (MENU) para seleccionar el modo Parrilla (⌚).
4. Inicie el precalentamiento presionando el botón de inicio (⌚). Esta fase dura 13 minutos.
5. Suena la campanilla del temporizador cuando finaliza esta fase de precalentamiento.
6. Abre el aparato, fije el mango en la placa parrilla. Retire la placa parrilla y colóquela sobre una superficie resistente al calor.

**Precaución: no toque la placa parrilla durante el uso y cierto tiempo después ya que se calienta mucho. Sólo sostenga la placa con el mango fijado.**

7. Coloque los ingredientes en la placa parrilla.

8. Deslice la placa parrilla en el nivel superior del aparato. Retire el mango antes de cerrar el aparato.

9. Ajuste el tiempo de cocción presionando los botones (▲) y (▼) (vea la sección « Ajustes »). La temperatura y el tiempo restante de cocción se alternarán en la pantalla.

10. Cuando escuche la campanilla del temporizador, el tiempo de cocción establecido habrá finalizado. Abre el aparato, fije el mango en la placa parrilla. Retire la placa del aparato y colóquela sobre una superficie resistente al calor.

11. Verifique que los ingredientes estén preparados. Si los ingredientes no están listos todavía, simplemente deslice la placa ayudándose del mango y configure con unos minutos adicionales.

12. Cuando los ingredientes están listos, retira la placa parrilla del aparato y use un par de pinzas para quitar los ingredientes de la placa.

**Precaución: Después de la cocción, la placa parrilla y los ingredientes están calientes.**

## AJUSTES

Este cuadro a continuación le ayuda a seleccionar los ajustes básicos para los ingredientes que desea preparar.

**Nota: Recuerde que estos ajustes son indicaciones. Dado que los ingredientes difieren en su origen, tamaño, forma y marca, no podemos garantizar el mejor ajuste para sus ingredientes.**

Para cambiar al modo °F, presione simultáneamente los botones + \* Agitar a mitad de

	Cantidad mín. y máx. (g)	Tiempo (min)	Temperatura (°F/°C)	Modo de cocción	Agitar *	Información adicional
<b>Papas y papas fritas</b>						
Papas fritas finas congeladas	300-700g	15-20 min	200°C / 392°F		Si	
Papas fritas caseras	300-700g	22-32 min	180°C / 356°F		Si	Agregar 1 cucharada de aceite**
Rodajas de papa congeladas	300-800g	22-27 min	180°C / 356°F		Si	Agregar 1 cucharada de aceite**
<b>Carne de res y carne de ave</b>						
Bistec	100-400g	9-17 min	180°C / 356°F			
Albóndigas	400g	8-12 min	180°C / 356°F			
Pechuga de pollo	100-500g	12-19 min	180°C / 356°F			
Pollo (entero)	1200g	60 min	180°C / 356°F			

\* Agitar a mitad de camino usando un par de pinzas.

\*\* Mezclar los ingredientes con el aceite en un tazón antes de cocinar.

	Cantidad mín. y máx. (g)	Tiempo (min)	Temperatura (°F/°C)	Modo de cocción	Agitar*	Información adicional
<b>Pescado</b>						
Filete de salmón	350g	15-17 min	140°C / 284°F			
<b>Bocadillos</b>						
Trocitos de pollo empapizados congelados	100-600g	7-12 min	200°C / 392°F		Si	
Alitas de pollo congeladas	300g	16-20 min	200°C / 392°F		Si	
Palitos de queso empapizados congelados	125g (5 piezas)	8 min	180°C / 356°F			
Aros de cebolla congelados	200g (10 piezas)	8-10 min	200°C / 392°F		Si	
<b>Grill</b>						
		13 min	200°C / 400°F			
Carne	250g / 8 oz	Precalentamiento : 13 min Cocción : 4-6 min	200°C / 400°F			Puede agregar aceite, hierbas aromáticas y sal para un mejor sabor. A la mitad de cocción, gire la carne.
Salsichas	400g / 14 oz	Precalentamiento : 13 min Cocción : 10-12 min	200°C / 400°F			Puede agregar aceite, hierbas aromáticas y sal para un mejor sabor. A la mitad de cocción, gire la carne.
Verduras	300g / 10 oz	Precalentamiento : 13 min Cocción : 5-10 min	200°C / 400°F			
Filete de pescado	200g / 7 oz	Precalentamiento : 13 min Cocción : 3-5 min	200°C / 400°F			
<b>Horneado</b>						
Panqués	300g / 10 oz	15-18 min	180°C / 350°F			Use fuente para horno***
Torta	300g / 10 oz	30 min	160°C / 325°F			
<b>Deshidratación</b>						
Manzana en rodajas	6/7 piezas	4-12h	45°C / 100°F			

\*Agitar a mitad de camino uzando un par de pinzas.

\*\* Mezclar los ingredientes con el aceite en un tazón antes de cocinar.

\*\*\* Coloque la fuente para horno en la sartén.

**MPORTANTE:** Para evitar daños a su aparato, nunca exceda las cantidades máximas de ingredientes y líquidos indicados en las Instrucciones de uso y recetas. Al usar mezclas que se hinchan durante la cocción (como un pastel, quiche o muffins), el plato del horno no debe llenarse más de la mitad.

Visite [www.t-fal.com](http://www.t-fal.com) para ver las recetas en línea

## SUGERE

- Los ingredientes más pequeños suelen requerir un tiempo de preparación un poco más corto que los ingredientes más grandes.
  - Una cantidad grande de ingredientes solo requiere un tiempo de preparación un poco más largo, una cantidad más pequeña de ingredientes solo requiere un tiempo de preparación un poco más corto.
  - Agitar los ingredientes más pequeños a la mitad del tiempo de preparación optimiza el resultado final y puede ayudar a evitar ingredientes fritos de forma desapareja.
  - Agregue un poco de aceite a las papas fritas para obtener un resultado crujiente. Fría sus ingredientes en el dispositivo pocos minutos después de agregar el aceite.
  - No prepare ingredientes extremadamente grasosos como salchichas en el dispositivo.
  - Los bocadillos que se pueden preparar en un horno también se pueden preparar en el dispositivo.
  - La cantidad óptima para preparar papas fritas congeladas crujientes es 700 gramos.
  - Use una masa prehecha para preparar bocadillos rellenos de forma rápida y fácil. La masa prehecha también requiere un tiempo de preparación más corto que el de la masa casera.
  - Coloque una fuente para horno en la cesta del dispositivo si desea hornear un pastel o quiche o si desea freír ingredientes frágiles o ingredientes rellenos.
  - También puede usar el dispositivo. para recalentar ingredientes. Para recalentar ingredientes, ajuste la temperatura a 160°C / 320°F por hasta 10 minutos.
- Nota: Cuando use ingredientes que se eleven (**como un pastel, quiche o panqués**) la fuente para horno no debería estar llena más de la mitad.

## PREPARACIÓN DE PAPAS FRITAS CASERAS

Para obtener el mejor resultado, le aconsejamos que use papas fritas (**por ej., congeladas**) precocidas. Si desea hacer papas fritas caseras, siga los pasos a continuación.

1. Pele las papas y córtelas en forma de bastones.
  2. Remoje los bastones de papa en un tazón durante al menos 30 minutos, retírelas y séquelas con papel de cocina.
  3. Vierta 1 cucharada de aceite de oliva en un tazón, coloque los bastones arriba y mezcle hasta que los bastones estén recubiertos con aceite.
  4. Retire los bastones del tazón con los dedos o con un utensilio de cocina para que el exceso de aceite quede en el tazón. Coloque los bastones en la sartén
- Nota: No incline el tazón para poner todos los bastones en la cesta de una vez, para evitar que el exceso de aceite termine en la parte inferior de la sartén.**
5. Fría los bastones de papas según las instrucciones en la sección «Ajustes».

## LIMPIEZA

Limpie el aparato después de cada uso.

La sartén y la rejilla extraíble tienen un recubrimiento antiadherente. No use utensilios metálicos o materiales de limpieza abrasivos para limpiarlas porque se podría dañar el recubrimiento antiadherente.

1. Desenchufe el cable de alimentación del tomacorriente y deje que el aparato se enfríe.  
**Nota: Retire la sartén para permitir que la freidora de aire se enfríe con mayor rapidez.**
2. Limpie el exterior del aparato con un paño húmedo.
3. Limpie la sartén y la rejilla extraíble con agua caliente, un poco de líquido lavavajillas y una esponja no abrasiva. Puede usar un líquido desengrasante para retirar la suciedad que reste  
**Nota : Se puede limpiar estas partes en el lavavajillas.**  
**Consejo: Si hay suciedad pegada en la rejilla extraíble o en la parte inferior de la sartén, llene la sartén con agua caliente y algo de líquido lavavajillas. Coloque la rejilla extraíble en la sartén y déjela en remojo por aproximadamente 10 minutos.**
4. Limpie el interior del aparato con agua caliente y una esponja no abrasiva.
5. Limpie el elemento de calentamiento con un cepillo de limpieza para retirar los residuos de comida que haya.

## ALMACENAMIENTO

1. Desenchufe el aparato y déjelo enfriar.
2. Asegúrese de que todas las partes estén limpias y secas.

## MEDIO AMBIENTE

No arroje el aparato con la basura normal del hogar cuando termine su vida útil, entréguelo en un punto de recolección oficial para su reciclado. Al hacer esto ayudará a conservar el medio ambiente.

## GARANTÍA Y SERVICIO

Su necesita servicio o información o si tiene un problema, visite la página web de T-Fal, [www.t-fal.com](http://www.t-fal.com), o comuníquese con el Centro de atención al consumidor de T-Fal en su país. Encontrará el número de teléfono en el folleto de garantía mundial. Si no hay Centro de atención al cliente en su país, vaya al distribuidor local de T-Fal.

## DETECCIÓN DE PROBLEMAS

Si tiene problemas con el aparato, visite [www.t-fal.com](http://www.t-fal.com) para ver una lista de preguntas frecuentes o comuníquese con el Centro de atención al cliente en su país.

## TEFAL/T-FAL\* GARANTÍA LIMITADA INTERNACIONAL

 : [www.tefal.com](http://www.tefal.com)

*Este producto puede ser reparado por TEFAL/T-FAL\* durante y después del periodo de garantía.*

Los accesorios, consumibles y componentes reemplazables por el usuario final, en caso de estar disponibles localmente, pueden ser adquiridos tal y como se describe en el sitio web [www.tefal.com](http://www.tefal.com)

### Garantía:

Este es un producto garantizado por TEFAL/T-FAL contra defectos de fabricación o en los materiales durante el periodo de garantía aplicable en aquellos países \*\* que figuran en la lista de países incluida en la última página del manual de usuario, a partir de la fecha de compra.

La garantía internacional que TEFAL/T-FAL emite como fabricante es una ventaja adicional que no transgrede los derechos del consumidor

La garantía internacional del fabricante cubre todos los costes de reparación del producto defectuoso, de forma que se ajuste a sus especificaciones originales, ya sea mediante su reparación o la sustitución de los componentes defectuosos y la mano de obra necesaria. A criterio de TEFAL/T-FAL, se podrá sustituir el producto defectuoso por un equivalente o superior en lugar de repararlo. La reparación o sustitución del producto es la única obligación de TEFAL/T-FAL y la única y exclusiva solución ofrecida al cliente en virtud de la presente garantía.

### Condiciones y exclusiones:

TEFAL/T-FAL no estará obligada a reparar o sustituir productos que no vayan acompañados de una prueba de compra válida. Se puede llevar el producto en persona directamente a un centro de servicios autorizado, o embalarlo adecuadamente y enviarlo, por correo certificado (o envío postal equivalente), a un centro de servicios autorizado de TEFAL/T-FAL. La dirección completa de los centros de servicio autorizados en cada país puede obtenerse en el sitio web de TEFAL/T-FAL ([www.tefal.com](http://www.tefal.com)) o llamando al número de teléfono de Atención al Consumidor del país en cuestión indicado en la Lista de Países. Para ofrecer el mejor servicio post-venta posible y mejorar constantemente el grado de satisfacción del cliente, TEFAL/T-FAL puede enviar una encuesta de satisfacción a todos los clientes que hayan reparado o canjeado sus productos en un centro de servicio autorizado TEFAL/T-FAL.

La garantía internacional TEFAL/T-FAL se aplica únicamente a productos adquiridos en alguno de los países relacionados, y destinados exclusivamente a uso doméstico en uno de los países indicados en la Lista de Países. Esta garantía no cubrirá los daños que puedan producirse como resultado de usos incorrectos, negligencia, inobservancia de las instrucciones de TEFAL/T-FAL, o una modificación o reparación no autorizada del producto, un embalaje inadecuado por parte del consumidor o por una manipulación incorrecta del transportista. Tampoco cubre el uso y desgaste habitual, el mantenimiento o sustitución de consumibles, ni lo siguiente:

- la utilización de un tipo de agua o consumible incorrecto
- la calcificación (las descalcificaciones deberán realizarse de acuerdo a las instrucciones de uso)
- daños mecánicos, sobrecarga
- uso profesional o comercial
- accidentes, incluidos incendios, inundaciones, rayos, etc.
- ruptura en los materiales de vidrio o porcelana del producto
- la entrada de agua, polvo o insectos dentro del producto (excluyendo los aparatos con características específicamente diseñadas para insectos)
- daños o mal funcionamiento debidos específicamente a un voltaje o frecuencia distintos de los que aparecen impresos en la etiqueta del producto u otras especificaciones locales.

### Derechos de los consumidores:

La garantía internacional TEFAL/T-FAL no afecta a los derechos de los consumidores ni derechos que no puedan ser excluidos o restringidos, ni a los derechos que el consumidor tenga frente al comerciante minorista que le vendió el producto. Esta garantía proporciona al consumidor derechos específicos, y el consumidor también podrá ejercer otros derechos que variarán de una región a otra o de un país a otro.

\* Los electrodomésticos de TEFAL se comercializan bajo la marca T-FAL en algunos territorios, como América y Japón. TEFAL/T-FAL son marcas registradas del Groupe SEB.

\*\*Cuando un producto sea adquirido en un país incluido en la Lista de Países y posteriormente se utilice en otro país incluido en la Lista, la duración de la garantía internacional TEFAL/T-FAL será la vigente en el país de uso del producto, aunque el producto haya sido adquirido en otro país incluido en la Lista con una duración distinta de garantía. El proceso de reparación para productos adquiridos fuera del país de uso puede requerir un plazo mayor si TEFAL/T-FAL no comercializa localmente el producto. En los casos en los que el producto no sea susceptible de reparación en el país de uso, la garantía internacional TEFAL/T-FAL se limitará a la sustitución por un producto similar o un producto alternativo de precio similar, siempre que sea posible. Por favor conserve este documento para consulta en caso de que deseara hacer una reclamación bajo garantía.

### Específicamente para México:

El sitio para comprar accesorios, refacciones, así como para realizar las reparaciones de los productos TEFAL/T-FAL se localiza en Home & Cook and Service, Av. San Fernando 649, local 27 A, Col. Peña Pobre, C.P. 14060, Alcaldía Tlalpán, Ciudad de México. México TEFAL/T-FAL cubrirá los gastos razonablemente erogados para el cumplimiento de esta garantía, exclusivamente para aquellos sitios donde no se cuente con un centro de servicio autorizado. El periodo de garantía es el indicado en la lista de países, a menos que se especifique algo diferente sobre la información del producto.

TEFAL/T-FAL INTERNATIONAL GUARANTEE: COUNTRY LIST SMALL HOUSEHOLD APPLIANCES www.tefal.com			
			
CANADA	1-800-418-3325	1 an 1 year	Groupe SEB Canada Inc. 36 Newmill Gate, Unit 2 Scarborough, ON M1V 0E2
MEXICO	(55) 52839354	1 año 1 year	Groupe Seb México S.A. de C.V. Calle Boulevard Miguel de Cervantes, Saavedra No 169 Piso 9, Col Ampliación Granada, C.P. 11520, Ciudad de México
U.S.A.	800-395-8325	1 year	GROUPE SEB USA 2121 Eden Road Millville, NJ 08332

www.tefal.com

20/10/2017

### TEFAL/T-FAL INTERNATIONAL GUARANTEE

**Date of purchase** / Date d'achat / Fecha de compra / Købsdato / Ostöpäivä / Kjøpsdato / Inköpsdatum / Ostukuupäev / Pirkuma datums / Įsigijimo data / Data zakupu / Datum izročitve blaga / Datum kupovine / Väsärlläs dátuma / Data achiziției / Дата на закупуване / Дата продажы / Чыкаўшчыя ор. / Дата продажы / Сатылган күні / 購入日 / วันที่ซื้อ / 구입일자 / Датум на купуванне :

**Product reference** / Référence produit / Referencia del producto / Referencenummer / Tuotenumero / Artikelnummer / Produktreferens / Toote viitenumber / Produkta atsauces numurs / Gaminio numeris / Referenja produktu / Oznaka proizvoda / Tip aparata / Készülék típusa / Cod produs / Model / Model / Упаткі / Модель / Yarıcı / 製品リファレンス番号 / รุ่นผลิตภัณฑ์ / 제품명 / Податоци за произволот :

**Retailer name and address** / Nom et adresse du revendeur / Nombre y dirección del minorista / Forhandler navn & adresse / Jälleenmyyjän nimi ja osoite / Forhandler navn og adresse / Återförsäljarens namn och adress / Mütija kauplus ja address / Veikala nosaukums un adrese / Parduotuvės pavadinimas ir adresas / Nazwa i adres sprzedawcy / Naziv i adresa prodajnog mjesta / Naziv in naslov trgovine / Forgalmazó neve és címe / Numele și adresa vânzătorului / Търговски обект / Назва та адреса продавця / Чыкаўшчыя імя і адрас прадваўца / Название и адрес продавца / Сатушыяны атаум мені мекен-жайы / 販売店名、住所 / ชื่อและที่ตั้งของทางจำหน่าย / 소매점 이름과 주소 / Име и адреса на продавач :

**Distributor stamp** / Cachet / Sello del distribuidor / Forhandler stempel / Jälleenmyyjän leima / Forhandler stempel / Återförsäljarens stämpel / Tempel / Zimpos / Antspaudas / Pecezi sprețdawcy / Pečet distributera / Pečet trgovine / Forgalmazó pecsétje / Stampilis vânzătorului / Печат на търговския обект / Печатка продавця / Чып. / Печать продавца / Сатушыяны мори / 販売店印 / จำหน่ายทางจำหน่าย / 소매점 직인 / Печат на дистрибутор :

Ref. 1520011710-02  
21/2021